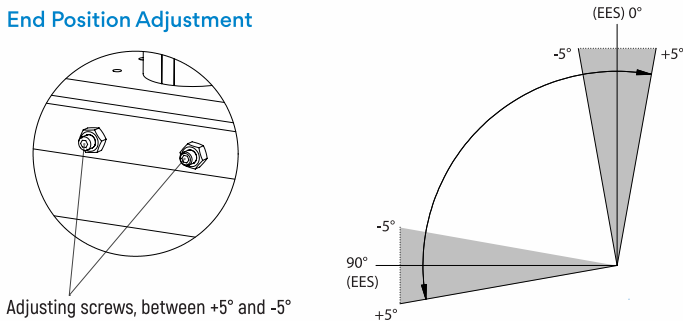


DATA SHEET

AGDS-002

End Position Adjustment



Adjusting screws, between +5° and -5°

The pivoting angle can be adjusted in both end positions in pressure free conditions between +5° and -5°.

Torque-Table Double-Acting Actuator (Nm)

| Actuator Type | Control Pressure Pst (bar) | | | | | | | | | | |
|---------------|----------------------------|-----|-----|-----|------|------|------|------|------|------|------|
| | 2 | 2.5 | 3 | 3.5 | 4 | 4.5 | 5 | 5.5 | 6 | 7 | 8 |
| AGDS - 002 | 5.1 | 6.4 | 7.6 | 8.9 | 10.2 | 11.4 | 12.7 | 14.0 | 15.2 | 17.8 | 20.3 |

Technical Data

Control Pressure

Control pressure : 2 - 8 bar
Control medium / quality : Filtered air minimum acc. to DIN/ISO 8573-1 Class 4

Switch Time (Sec*)

| AGDS |
|------|
| 0.2 |

Materials

Housing : Al-Alloy, Anodised, Outside PP-Coated
Caps : Al-Alloy, PP-Coated
Piston : Al-Alloy
Pinion : Al-Alloy, Hard Anodized
Namur Shaft : SS304
Seals : NBR (Perbunan)
Bearing : PTFE+25% Carbon Filled
Screws : Stainless Steel 1.4301

Weight, Air Consumption

| Actuator Type | AGDS |
|-----------------------------|------|
| Weight (kg) | 0.7 |
| Volume (l) Double-Stroke | 0.10 |

Optional Extras

- Other Housing Coatings
- Pinion : Stainless Steel AISI 304 or 316
- 180° Actuator : Rotation 180° to 120° Adjustable
- 3 - Position Actuator : 0° - 90° - 180° / 0° - 45° - 90°

Ordering Code

AGDS - 002 / 090 - V09 - H
(see assembly variants)

AGDS = Double acting with short end caps

Ambient Temperature

| | |
|----------------|-----------------|
| Standard | -35°C to +80°C |
| High-Temp (HT) | -15°C to +140°C |
| Low-Temp (TT) | -50°C to +70°C |

*Quoted switch times are guidelines for a double-stroke at 5 bar control pressure and at 50% rated loading. With high valve actuating speeds, potentially dangerous large braking forces can arise in the actuator end positions. **Tip** : Throttle the exhaust air or select a larger actuator. Single Action actuators with 12 springs.

