



COMMITTED TO
QUALITY

GPY Series Scotch Yoke Pneumatic Actuator



GM APE Automation (India) Pvt. Ltd.
Manufacturer of Pneumatic Actuators



Company Profile

GM APE Automation (India) Pvt. Ltd. was Founded in the Year 2019 as a Group Company of GM Engineering Pvt. Ltd. which is in the business of manufacturing Ball, Gate Globe, Check, Butterfly, Forged Steel Valves, Plug Valves, PFA / FEPLined Valves and Fittings since 1996. A customer driven organizational philosophy, Investment in the Best Technology and human resources has enabled us to constantly meet high standards set by our customers. GM APE Automation (India) Pvt. Ltd. is a company having technical tie-up with a Germany based Company. GM APE Automation is accredited with **ISO 9001:2015 Certification by TÜV Rheinland.**

GM Valve Group (GM Group as we know it) had its beginning in 1996 in a single business operation. Our headquarter is in Rajkot, Gujarat. We are diversified manufacturers of Industrial Valves, Fittings, Actuators and allied products to the Oil-&-Gas, Nuclear Power, Chemical-&-Fertilizer Industry, etc.

We at GM APE Automation (India) Pvt. Ltd. are in the business of manufacturing of Pneumatic Actuators meeting to International Standards like: **DIN EN 15714-1** and **SS EN 15714-3**. As part of our primary objective, we have developed range of Pneumatic Actuators. The products are widely used in Chemical, Refinery, Petrochemical, Fertilizer, Pharmaceuticals, Oil Exploration, Thermal & Nuclear Power, Mining, Food & Beverage, Effluent Treatment & Sewerage, Water Treatment, Cooling Towers and Process Industries.

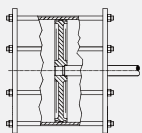
GM APE Automation's strength is quality products at affordable prices, prompt delivery and the unflinching commitment to excel. Our Goal is to bring to India world class products with Technical Collaborations from different parts of the world and supply Indian Customers world class products at affordable rates. We aim to fulfill the 'Make In India' initiative of our country and make it a huge success. The products of our group companies have been enjoying a sustained presence in the national market since 1996. Our Core Strength is in timely investment in technology upgradation, process innovation, shorter development cycles, a rigorous and disciplined process-based approach to continuous improvement in all aspects of business has helped to constantly meet the standards set by the customers.

Right from Raw Material, through engineering, die creation, fabrication, testing, cleaning and shipment, orders are handled with a level of quality that only comes from years of attention to detail. Using the latest, computer aided tools, equipment and dedicated personnel, our quality assurance department will guarantee each actuator meets the required specification.

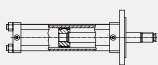
We, at GM APE Automation use established stringent processes and monitoring practices for consistent quality. All our locations adhere to country-specific regulatory and licensing mandates.

Modular Construction

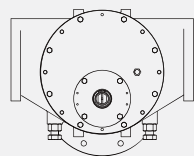
Modular Design
 Pneumatic, hydraulic
 Double acting, spring return
 Manual optionals : screw manual,
 gear manual, hydraulic manual
 declutchable manual overrides



Pneumatic module



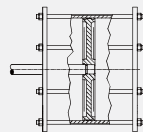
Hydraulic module



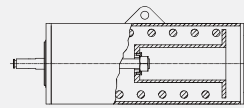
Drive module



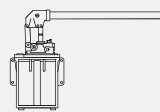
End plate



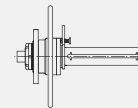
Pneumatic module



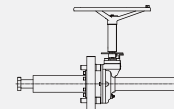
Spring module



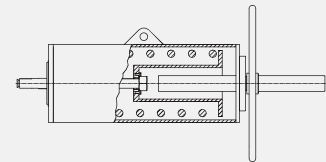
Hydraulic manual override



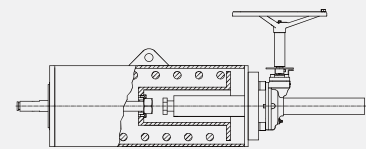
DA screw manual override



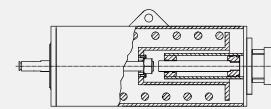
Gear manual override



Spring module with screw manual override



Spring module with gear manual override



Spring module with hydraulic manual override

Pneumatic Cylinder

Interior surface is honed and hard chrome plated to ensure smooth operation and prevent corrosion.

Guide Bands

The grease of the guide bands is firmly locked by dual-sealings maintaining the lubricity of the piston's movement within the cylinder and extending the service life of the sealings.

Yoke Pin

High-strength materials and precise processing maximize torque transmission and effectively reduce wear and local stress.

Dual Sealings

The dual sealings design significantly enhances the reliability and durability of the cylinder's sealing performance.

Specifications

Output Torque

DA: 200 ~ 250,000Nm

SR: 80 ~ 250,000Nm

Stroke: $0 \pm 6^\circ \sim 90^\circ \pm 6^\circ$

Operating Pressure

2 ~ 8bar

Cylinder Design Pressure

10 bar

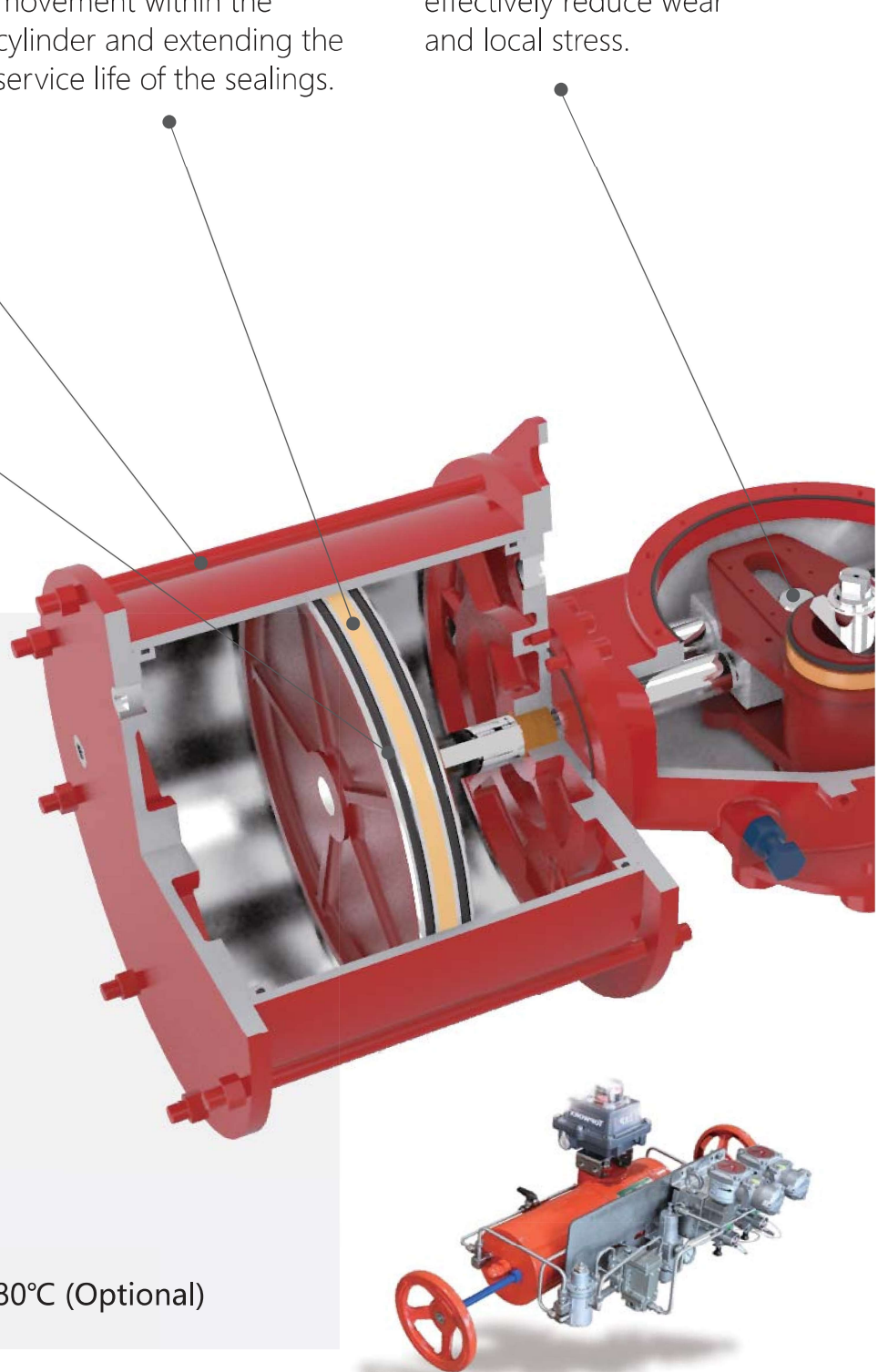
Working Temperature

Standard: $-20^\circ\text{C} \sim +80^\circ\text{C}$

High Temp: $-15^\circ\text{C} \sim +150^\circ\text{C}$

Low Temp: $-40^\circ\text{C} \sim +80^\circ\text{C}$

Extreme low Temp: $-60^\circ\text{C} \sim +80^\circ\text{C}$ (Optional)



Guide Bar

It provides lateral load-bearing for the cylinder piston rod, reduces the lateral force wear of the piston rod and piston, and makes the transmission more stable and reliable.

Spring Module

The integrated welded spring module is made of high-strength alloy spring steel, providing stable output torque throughout its entire life cycle and enhancing corrosion resistance and safety.

Standard Mounting

NAMUR Accessory Interface

The shaft driven accessory interface conforms to NAMUR, allowing standardisation of accessory mounting.

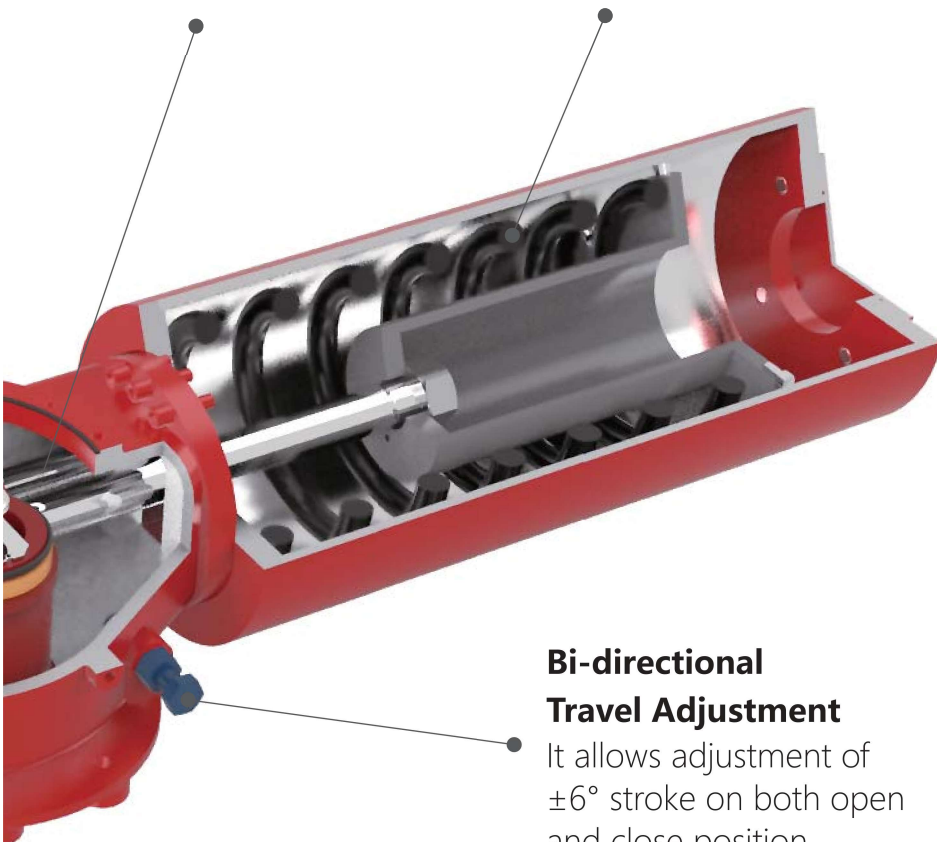
ISO 5211 Valve Mounting

The HPY actuator meets the dimensional requirements of ISO 5211 for valve mounting.

The four-keyway design of the shaft hole makes on-site installation flexible and convenient

Manual override options:

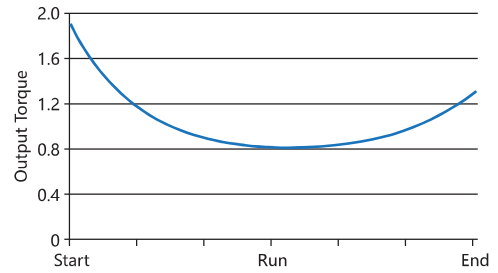
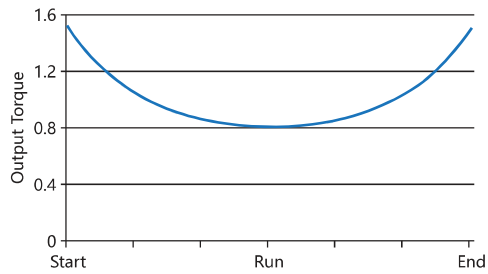
declutchable manual overrides,
screw manual overrides,
gear manual overrides,
hydraulic manual overrides.



Bi-directional Travel Adjustment

It allows adjustment of $\pm 6^\circ$ stroke on both open and close position.

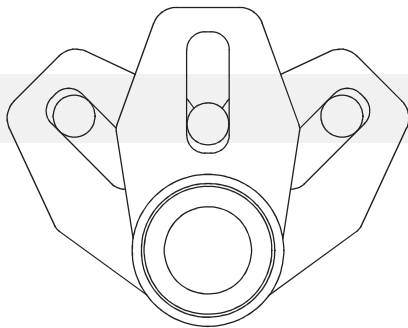




GM provides the B and C series scotch yoke actuator s.

The B series is the symmetrical yoke structure, which is more compatible with driving ball valves and plug valves.

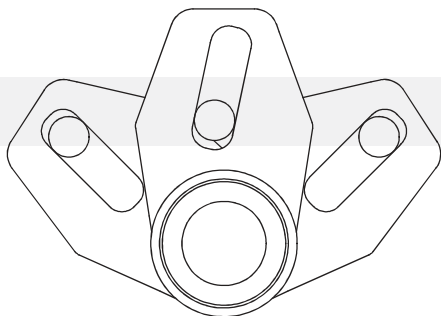
The C series is the canted yoke structure, which is more compatible with driving butterfly valves.



B Series Symmetric Yoke

Symmetric Yoke

Symmetrical yokes can output a relatively balanced torque, high torque at the beginning and end of the stroke and low torque in the run of the stroke.

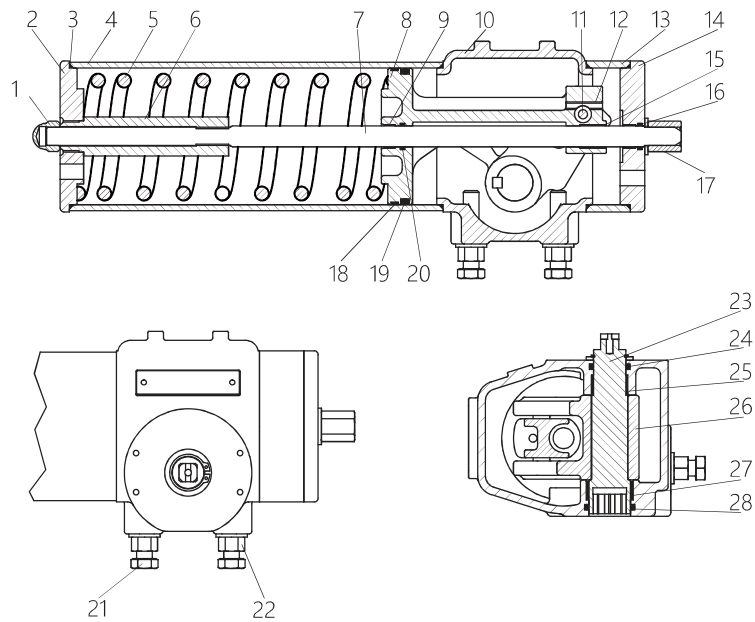


C Series Canted Yoke

Canted Yoke

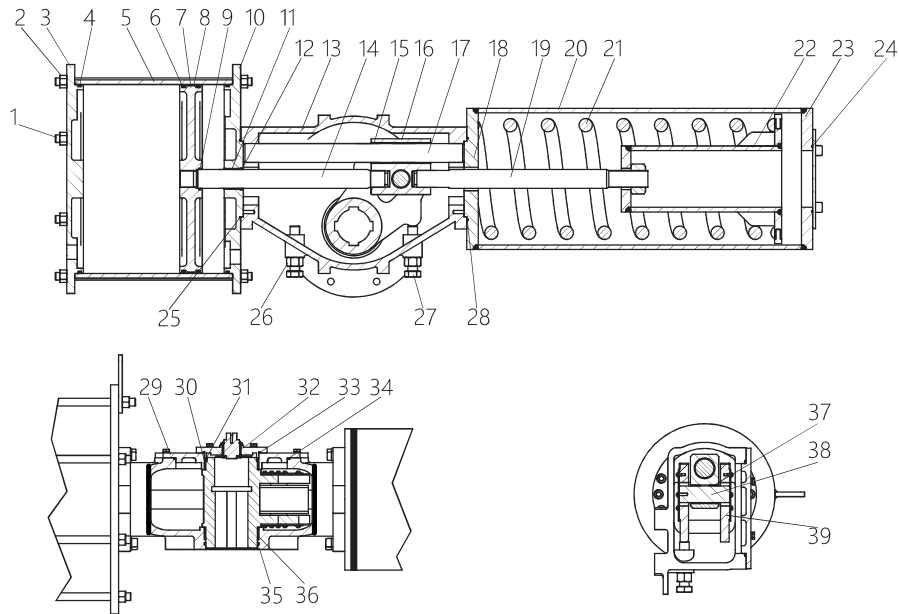
Canted yoke output higher break and end torque. In some cases, the use of canted yoke can reduce the size, weight and cost of the actuator.

BOM (Applicable to GPY-B03, 04, 05)



| NO. | Part | Qty | Material |
|-----|-------------------|-----|----------------------------|
| 1 | Nut | 1 | Carbon Steel |
| 2 | Cylinder Cap | 1 | Carbon Steel |
| 3 | O-ring | 4 | NBR / Silicon / Viton |
| 4 | Spring Cylinder | 1 | Carbon Steel |
| 5 | Spring | 1 | Spring Steel |
| 6 | Spring Seat Guide | 1 | Carbon Steel |
| 7 | Connecting Rod | 1 | Alloy Steel |
| 8 | Piston | 1 | Ductile Iron / Alloy Steel |
| 9 | Bearing | 2 | Steel+Bronze+PTFE |
| 10 | Central Body | 1 | Ductile Iron |
| 11 | Yoke Pin | 1 | Alloy Steel |
| 12 | Straight Pin | 1 | Spring Steel |
| 13 | End Cylinder | 1 | Carbon Steel |
| 14 | End Cap | 1 | Carbon Steel |
| 15 | Bearing | 1 | Steel+Bronze+PTFE |
| 16 | O-ring | 1 | NBR / Silicon / Viton |
| 17 | Hex Nut | 1 | Carbon Steel |
| 18 | Guide Ring | 1 | Engineering Plastic |
| 19 | O-ring | 1 | NBR / Silicon / Viton |
| 20 | O-ring | 1 | NBR / Silicon / Viton |
| 21 | Adjust Screw | 2 | Carbon Steel |
| 22 | Screw Nut | 2 | Carbon Steel |
| 23 | Shaft | 1 | Alloy Steel |
| 24 | O-ring | 1 | NBR / Silicon / Viton |
| 25 | Bearing | 1 | Steel+Bronze+PTFE |
| 26 | Yoke | 1 | Ductile Iron / Alloy Steel |
| 27 | Bearing | 1 | Steel+Bronze+PTFE |
| 28 | O-ring | 1 | NBR / Silicon / Viton |

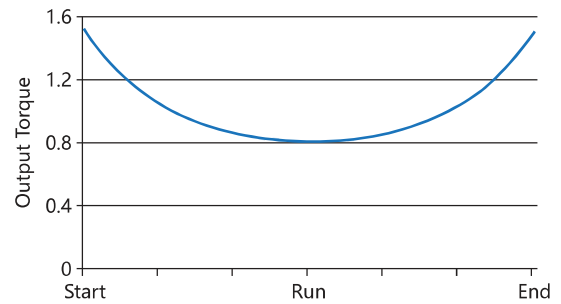
BOM (Applicable from GPY-B/C06 to B/C6)



| NO. | Part | Qty | Material |
|----------------|----------------------------------|-----|-----------------------------|
| 1 | Pull Rod | n | Carbon Steel |
| 2 | Nut | n | Carbon Steel |
| 3 | Cylinder Cover | 1 | Carbon Steel / Ductile Iron |
| 4, 6 | O-ring | 2 | NBR / Silicon / Viton |
| 5 | Cylinder | 1 | Carbon Steel |
| 7 | Piston | 1 | Carbon Steel / Ductile Iron |
| 8 | Guide Ring | 1 | Engineering Plastic |
| 9, 12 | O-ring | 1 | NBR / Silicon / Viton |
| 10 | Cylinder Connecting Cover | 1 | Carbon Steel / Ductile Iron |
| 11 | Bearing | 1 | Steel+Bronze+PTFE |
| 13 | Central Body | 1 | Ductile Iron |
| 14 | Piston Rod | 1 | Alloy Steel |
| 15 | Bearing | 2 | Steel+Bronze+PTFE |
| 16 | Slider | 1 | Carbon Steel |
| 17 | Guide Rod | 1 | Alloy Steel |
| 18 | Spring Cylinder Connecting Cover | 1 | Carbon Steel |
| 19 | Spring Rod | 1 | Alloy Steel |
| 20 | Spring Cylinder | 1 | Carbon Steel |
| 21 | Spring | 1 | Spring Steel |
| 22 | Spring Seat | 1 | Carbon Steel |
| 23 | Spring Cylinder Cover | 1 | Carbon Steel |
| 24, 25, 28 | O-ring | 1 | NBR / Silicon / Viton |
| 26 | Screw Nut | 2 | Carbon Steel |
| 27 | Adjust Screw | 2 | Carbon Steel |
| 29 | Body Cover | 1 | Ductile Iron |
| 30, 36 | Bearing | 1 | Steel+Bronze+PTFE |
| 31, 33, 34, 35 | O-ring | 1 | NBR / Silicon / Viton |
| 32 | Indicaron | 1 | Aluminium Alloy+SS316 |
| 37 | Bearing | 2 | Steel+Bronze+PTFE |
| 38 | Yoke pin | 1 | Alloy Steel |
| 39 | Yoke | 1 | Ductile Iron |



GPY-B Series Symmetric Yoke Output Torque of Double Acting

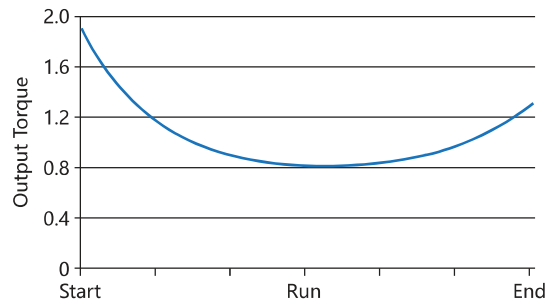


Unit: Nm

| Model | Air Supply 3.5Bar | | | Air Supply 4Bar | | | Air Supply 4.5Bar | | | Air Supply 5Bar | | | Air Supply 5.5Bar | | | Air Supply 6Bar | | |
|-----------------|-------------------|--------|--------|-----------------|--------|--------|-------------------|--------|--------|-----------------|--------|--------|-------------------|--------|--------|-----------------|--------|--------|
| | Start | Run | End | Start | Run | End | Start | Run | End | Start | Run | End | Start | Run | End | Start | Run | End |
| GPY-DA-B03-105 | 254 | 136 | 252 | 291 | 155 | 288 | 327 | 175 | 324 | 364 | 194 | 360 | | | | | | |
| GPY-DA-B04-125 | 446 | 238 | 443 | 510 | 272 | 506 | 574 | 306 | 569 | 638 | 341 | 632 | | | | | | |
| GPY-DA-B05-160 | 852 | 454 | 843 | 973 | 519 | 964 | 1095 | 584 | 1084 | 1216 | 649 | 1205 | | | | | | |
| GPY-DA-B06-201 | 1269 | 670 | 1269 | 1451 | 766 | 1451 | 1632 | 862 | 1632 | 1814 | 958 | 1814 | 1995 | 1053 | 1995 | 2176 | 1149 | 2176 |
| GPY-DA-B06-221 | 1542 | 814 | 1542 | 1763 | 931 | 1763 | 1983 | 1047 | 1983 | 2203 | 1163 | 2203 | | | | | | |
| GPY-DA-B08-221 | 2000 | 1056 | 2000 | 2286 | 1207 | 2286 | 2571 | 1358 | 2571 | 2857 | 1509 | 2857 | 3143 | 1660 | 3143 | 3428 | 1810 | 3428 |
| GPY-DA-B08-251 | 2599 | 1372 | 2599 | 2970 | 1568 | 2970 | 3341 | 1764 | 3341 | 3712 | 1960 | 3712 | 4083 | 2156 | 4083 | | | |
| GPY-DA-B01-251 | 3042 | 1606 | 3042 | 3476 | 1836 | 3476 | 3911 | 2065 | 3911 | 4346 | 2295 | 4346 | 4780 | 2524 | 4780 | 5215 | 2754 | 5215 |
| GPY-DA-B01-281 | 3836 | 2026 | 3836 | 4384 | 2315 | 4384 | 4932 | 2604 | 4932 | 5480 | 2894 | 5480 | 6028 | 3183 | 6028 | 6576 | 3473 | 6576 |
| GPY-DA-B01-321 | 5035 | 2659 | 5035 | 5754 | 3039 | 5754 | 6473 | 3418 | 6473 | 7193 | 3798 | 7193 | 7912 | 4178 | 7912 | 8631 | 4558 | 8631 |
| GPY-DA-B01-351 | 6039 | 3189 | 6039 | 6902 | 3644 | 6902 | 7764 | 4100 | 7764 | 8627 | 4556 | 8627 | | | | | | |
| GPY-DA-B02-351 | 7193 | 3798 | 7193 | 8220 | 4341 | 8220 | 9248 | 4883 | 9248 | 10275 | 5426 | 10275 | 11303 | 5969 | 11303 | 12330 | 6511 | 12330 |
| GPY-DA-B02-401 | 9440 | 4985 | 9440 | 10789 | 5697 | 10789 | 12138 | 6409 | 12138 | 13486 | 7122 | 13486 | 14835 | 7834 | 14835 | 16184 | 8546 | 16184 |
| GPY-DA-B02-451 | 11988 | 6330 | 11988 | 13700 | 7235 | 13700 | 15413 | 8139 | 15413 | 17126 | 9043 | 17126 | | | | | | |
| GPY-DA-B03-451 | 14306 | 7555 | 14306 | 16350 | 8634 | 16350 | 18394 | 9713 | 18394 | 20438 | 10792 | 20438 | 22481 | 11871 | 22481 | 24525 | 12951 | 24525 |
| GPY-DA-B03-501 | 17723 | 9359 | 17723 | 20255 | 10696 | 20255 | 22787 | 12033 | 22787 | 25318 | 13369 | 25318 | 27850 | 14706 | 27850 | 30382 | 16043 | 30382 |
| GPY-DA-B03-561 | 22297 | 11774 | 22297 | 25483 | 13456 | 25483 | 28668 | 15138 | 28668 | 31854 | 16820 | 31854 | 35039 | 18502 | 35039 | | | |
| GPY-DA-B03-601 | 25635 | 13537 | 25635 | 29297 | 15470 | 29297 | 32959 | 17404 | 32959 | | | | | | | | | |
| GPY-DA-B04-601 | 30797 | 16263 | 30797 | 35197 | 18586 | 35197 | 39597 | 20909 | 39597 | 43996 | 23232 | 43996 | 48396 | 25556 | 48396 | 52796 | 27879 | 52796 |
| GPY-DA-B04-631 | 33986 | 17946 | 33986 | 38841 | 20510 | 38841 | 43696 | 23074 | 43696 | 48552 | 25638 | 48552 | 53407 | 28202 | 53407 | 58262 | 30765 | 58262 |
| GPY-DA-B04-502 | 42584 | 22487 | 42584 | 48668 | 25699 | 48668 | 54751 | 28911 | 54751 | 60835 | 32124 | 60835 | 66918 | 35336 | 66918 | | | |
| GPY-DA-B04-701 | 42031 | 22195 | 42031 | 48036 | 25365 | 48036 | 54040 | 28536 | 54040 | 60044 | 31707 | 60044 | 66049 | 34877 | 66049 | | | |
| GPY-DA-B04-562 | 53576 | 28291 | 53576 | 61230 | 32332 | 61230 | 68883 | 36374 | 68883 | | | | | | | | | |
| GPY-DA-B04-801 | 54993 | 29039 | 54993 | 62849 | 33188 | 62849 | 70705 | 37336 | 70705 | | | | | | | | | |
| GPY-DA-B05-701 | 50399 | 26614 | 50399 | 57599 | 30416 | 57599 | 64799 | 34217 | 64799 | 71999 | 38019 | 71999 | 79199 | 41821 | 79199 | 86399 | 45623 | 86399 |
| GPY-DA-B05-562 | 64145 | 33872 | 64145 | 73308 | 38711 | 73308 | 82472 | 43550 | 82472 | 91635 | 48388 | 91635 | 100799 | 53227 | 100799 | 109963 | 58066 | 109963 |
| GPY-DA-B05-801 | 65984 | 34843 | 65984 | 75410 | 39820 | 75410 | 84836 | 44798 | 84836 | 94263 | 49776 | 94263 | 103689 | 54753 | 103689 | 113115 | 59731 | 113115 |
| GPY-DA-B05-602 | 73786 | 38963 | 73786 | 84327 | 44529 | 84327 | 94868 | 50095 | 94868 | 105409 | 55661 | 105409 | 115950 | 61228 | 115950 | 126491 | 66794 | 126491 |
| GPY-DA-B05-632 | 81454 | 43012 | 81454 | 93090 | 49156 | 93090 | 104726 | 55301 | 104726 | 116362 | 61446 | 116362 | 127999 | 67590 | 127999 | | | |
| GPY-DA-B05-901 | 83646 | 44169 | 83646 | 95595 | 50479 | 95595 | 107545 | 56789 | 107545 | 119494 | 63099 | 119494 | | | | | | |
| GPY-DA-B05-702 | 100799 | 53227 | 100799 | 115199 | 60831 | 115199 | 129599 | 68435 | 129599 | | | | | | | | | |
| GPY-DA-B06-901 | 112390 | 59348 | 112390 | 128446 | 67826 | 128446 | 144502 | 76305 | 144502 | 160558 | 84783 | 160558 | 176614 | 93261 | 176614 | 192669 | 101740 | 192669 |
| GPY-DA-B06-702 | 135271 | 71430 | 135271 | 154596 | 81635 | 154596 | 173920 | 91839 | 173920 | 193245 | 102043 | 193245 | 212569 | 112248 | 212569 | 231894 | 122452 | 231894 |
| GPY-DA-B06-1001 | 138964 | 73380 | 138964 | 158816 | 83863 | 158816 | 178668 | 94346 | 178668 | 198519 | 104829 | 198519 | 218371 | 115312 | 218371 | 238223 | 125795 | 238223 |
| GPY-DA-B06-802 | 177229 | 93586 | 177229 | 202547 | 106956 | 202547 | 227866 | 120325 | 227866 | 253184 | 133695 | 253184 | | | | | | |
| GPY-DA-B06-902 | 224781 | 118696 | 224781 | 256893 | 135653 | 256893 | | | | | | | | | | | | |



GPY-C Series Canted Yoke Output Torque of Double Acting

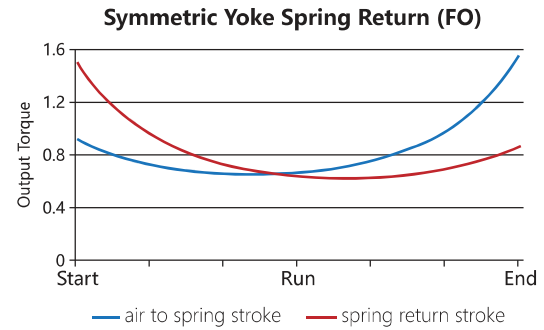
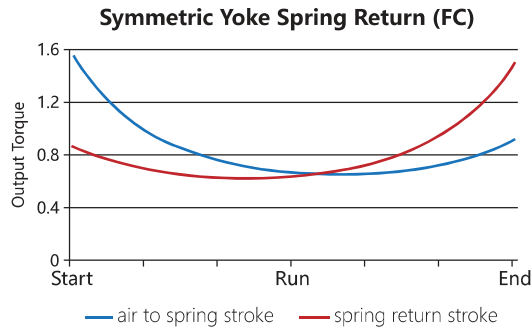


Unit: Nm

| Model | Air Supply 3.5Bar | | | Air Supply 4Bar | | | Air Supply 4.5Bar | | | Air Supply 5Bar | | | Air Supply 5.5Bar | | | Air Supply 6Bar | | |
|-----------------|-------------------|-------|--------|-----------------|--------|--------|-------------------|--------|--------|-----------------|--------|--------|-------------------|--------|--------|-----------------|--------|--------|
| | Start | Run | End | Start | Run | End | Start | Run | End | Start | Run | End | Start | Run | End | Start | Run | End |
| GPY-DA-C06-201 | 1523 | 663 | 1068 | 1741 | 758 | 1220 | 1959 | 853 | 1373 | 2176 | 948 | 1525 | | | | | | |
| GPY-DA-C08-221 | 2400 | 1045 | 1682 | 2743 | 1194 | 1922 | 3086 | 1344 | 2162 | 3428 | 1493 | 2403 | 3771 | 1642 | 2643 | 4114 | 1792 | 2883 |
| GPY-DA-C08-251 | 3118 | 1358 | 2185 | 3564 | 1552 | 2498 | 4009 | 1746 | 2810 | | | | | | | | | |
| GPY-DA-C01-251 | 3650 | 1590 | 2558 | 4172 | 1817 | 2924 | 4693 | 2044 | 3289 | 5215 | 2271 | 3655 | 5736 | 2498 | 4020 | 6258 | 2725 | 4386 |
| GPY-DA-C01-281 | 4603 | 2005 | 3226 | 5261 | 2291 | 3687 | 5919 | 2577 | 4148 | 6576 | 2864 | 4609 | 7234 | 3150 | 5070 | 7891 | 3436 | 5531 |
| GPY-DA-C01-321 | 6042 | 2631 | 4234 | 6905 | 3007 | 4839 | 7768 | 3383 | 5444 | 8631 | 3759 | 6049 | | | | | | |
| GPY-DA-C02-351 | 8631 | 3759 | 6049 | 9864 | 4296 | 6913 | 11097 | 4832 | 7777 | 12330 | 5369 | 8642 | 13563 | 5906 | 9506 | 14796 | 6443 | 10370 |
| GPY-DA-C02-401 | 11329 | 4933 | 7939 | 12947 | 5638 | 9074 | 14565 | 6343 | 10208 | 16184 | 7047 | 11342 | | | | | | |
| GPY-DA-C02-451 | 14385 | 6264 | 10082 | 16441 | 7159 | 11522 | | | | | | | | | | | | |
| GPY-DA-C03-451 | 17168 | 7476 | 12032 | 19620 | 8544 | 13750 | 22073 | 9612 | 15469 | 24525 | 10680 | 17188 | 26978 | 11748 | 18907 | 29430 | 12816 | 20626 |
| GPY-DA-C03-501 | 21267 | 9261 | 14905 | 24306 | 10584 | 17034 | 27344 | 11907 | 19164 | 30382 | 13230 | 21293 | 33420 | 14553 | 23422 | | | |
| GPY-DA-C03-561 | 26757 | 11652 | 18752 | 30579 | 13316 | 21431 | 34402 | 14981 | 24110 | | | | | | | | | |
| GPY-DA-C04-561 | 32146 | 13998 | 22529 | 36738 | 15998 | 25747 | 41330 | 17998 | 28965 | 45922 | 19997 | 32184 | 50514 | 21997 | 35402 | 55107 | 23997 | 38621 |
| GPY-DA-C04-601 | 36957 | 16093 | 25901 | 42237 | 18392 | 29601 | 47516 | 20691 | 33301 | 52796 | 22990 | 37001 | 58075 | 25289 | 40701 | 63355 | 27589 | 44401 |
| GPY-DA-C04-631 | 40783 | 17760 | 28582 | 46610 | 20297 | 32666 | 52436 | 22834 | 36749 | 58262 | 25371 | 40832 | 64088 | 27908 | 44915 | | | |
| GPY-DA-C04-701 | 50437 | 21963 | 35348 | 57643 | 25101 | 40398 | 64848 | 28239 | 45448 | | | | | | | | | |
| GPY-DA-C05-701 | 60479 | 26336 | 42386 | 69119 | 30099 | 48441 | 77759 | 33861 | 54496 | 86399 | 37623 | 60551 | 95039 | 41386 | 66607 | 103679 | 45148 | 72662 |
| GPY-DA-C05-562 | 76974 | 33519 | 53946 | 87970 | 38307 | 61652 | 98966 | 43096 | 69359 | 109963 | 47884 | 77065 | 120959 | 52673 | 84772 | 131955 | 57461 | 92478 |
| GPY-DA-C05-801 | 79181 | 34480 | 55492 | 90492 | 39406 | 63420 | 101804 | 44331 | 71347 | 113115 | 49257 | 79275 | 124427 | 54183 | 87202 | | | |
| GPY-DA-C05-602 | 88544 | 38557 | 62054 | 101193 | 44065 | 70919 | 113842 | 49574 | 79784 | 126491 | 55082 | 88649 | | | | | | |
| GPY-DA-C05-632 | 97744 | 42564 | 68503 | 111708 | 48644 | 78289 | 125671 | 54725 | 88075 | | | | | | | | | |
| GPY-DA-C05-901 | 100375 | 43709 | 70346 | 114714 | 49954 | 80396 | 129054 | 56198 | 90445 | | | | | | | | | |
| GPY-DA-C06-801 | 106337 | 46306 | 74525 | 121528 | 52921 | 85171 | 136720 | 59536 | 95818 | 151911 | 66151 | 106464 | 167102 | 72766 | 117110 | 182293 | 79381 | 127757 |
| GPY-DA-C06-901 | 134869 | 58730 | 94520 | 154136 | 67120 | 108023 | 173402 | 75510 | 121526 | 192669 | 83900 | 135029 | 211936 | 92290 | 148532 | 231203 | 100680 | 162035 |
| GPY-DA-C06-702 | 162326 | 70686 | 113763 | 185515 | 80784 | 130015 | 208704 | 90882 | 146267 | 231894 | 100981 | 162519 | 255083 | 111079 | 178771 | | | |
| GPY-DA-C06-1001 | 166756 | 72616 | 116868 | 190579 | 82989 | 133564 | 214401 | 93363 | 150259 | 238223 | 103737 | 166955 | 262046 | 114110 | 183650 | | | |
| GPY-DA-C06-802 | 212675 | 92611 | 149050 | 243057 | 105842 | 170342 | 273439 | 119072 | 191635 | | | | | | | | | |
| Model | Start | Run | End | Start | Run | End | Start | Run | End | Start | Run | End | Start | Run | End | Start | Run | End |
| | Air Supply 3.5Bar | | | Air Supply 4Bar | | | Air Supply 4.5Bar | | | Air Supply 5Bar | | | Air Supply 5.5Bar | | | Air Supply 6Bar | | |



GPY-B Series Symmetric Yoke Output Torque of Spring Return (FC/CO)



Unit: Nm

| Model | Air to Spring (3.5Bar) | | | Air to Spring (4Bar) | | | Air to Spring (4.5Bar) | | | Air to Spring (5Bar) | | | Air to Spring (5.5Bar) | | | Air to Spring (6Bar) | | | Spring Return | | |
|---------------------|------------------------|-----|------|----------------------|------|------|------------------------|------|------|----------------------|------|------|------------------------|------|------|----------------------|------|------|---------------|------|------|
| | Start | Run | End | Start | Run | End | Start | Run | End | Start | Run | End | Start | Run | End | Start | Run | End | Start | Run | End |
| GPY-SRC3/O3-B03-105 | 177 | 78 | 113 | 213 | 97 | 149 | 249 | 116 | 185 | 286 | 136 | 221 | | | | | | | 140 | 58 | 77 |
| GPY-SRC4/O4-B03-105 | 151 | 58 | 67 | 187 | 78 | 103 | 223 | 97 | 139 | 260 | 116 | 175 | 296 | 136 | 211 | | | | 187 | 78 | 103 |
| GPY-SRC5/O5-B03-105 | | | | 161 | 58 | 57 | 197 | 78 | 93 | 234 | 97 | 129 | 270 | 116 | 165 | | | | 234 | 97 | 129 |
| GPY-SRC6/O6-B03-105 | | | | | | | | | | 208 | 78 | 82 | 244 | 97 | 118 | 280 | 116 | 154 | 280 | 116 | 154 |
| GPY-SRC3/O3-B04-125 | 310 | 136 | 199 | 373 | 170 | 262 | 437 | 204 | 325 | 501 | 238 | 388 | | | | | | | 246 | 102 | 135 |
| GPY-SRC4/O4-B04-125 | 264 | 102 | 117 | 328 | 136 | 181 | 392 | 170 | 244 | 455 | 204 | 307 | 519 | 238 | 370 | | | | 328 | 136 | 181 |
| GPY-SRC5/O5-B04-125 | | | | 282 | 102 | 99 | 346 | 136 | 162 | 410 | 170 | 226 | 474 | 204 | 289 | 537 | 238 | 352 | 410 | 170 | 226 |
| GPY-SRC6/O6-B04-125 | | | | | | | | | | 364 | 136 | 144 | 428 | 170 | 208 | 492 | 204 | 271 | 492 | 204 | 271 |
| GPY-SRC3/O3-B05-160 | 591 | 260 | 379 | 713 | 324 | 499 | 834 | 389 | 620 | 956 | 454 | 740 | | | | | | | 469 | 195 | 258 |
| GPY-SRC4/O4-B05-160 | 504 | 195 | 224 | 626 | 260 | 344 | 747 | 324 | 465 | 869 | 389 | 585 | 991 | 454 | 706 | | | | 626 | 260 | 344 |
| GPY-SRC5/O5-B05-160 | | | | 539 | 195 | 189 | 661 | 260 | 310 | 782 | 324 | 430 | 904 | 389 | 551 | 1025 | 454 | 671 | 782 | 324 | 430 |
| GPY-SRC6/O6-B05-160 | | | | | | | | | | 695 | 260 | 275 | 817 | 324 | 396 | 939 | 389 | 516 | 939 | 389 | 516 |
| GPY-SRC4/O4-B06-201 | 752 | 288 | 367 | 934 | 383 | 549 | 1115 | 479 | 730 | 1296 | 575 | 911 | 1478 | 671 | 1093 | 1659 | 766 | 1274 | 902 | 383 | 517 |
| GPY-SRC5/O5-B06-201 | | | | 804 | 287 | 323 | 986 | 383 | 504 | 1167 | 479 | 686 | 1348 | 575 | 867 | 1530 | 670 | 1049 | 1128 | 479 | 646 |
| GPY-SRC6/O6-B06-201 | | | | | | | | | | 1028 | 376 | 444 | 1209 | 472 | 625 | 1391 | 567 | 806 | 1370 | 582 | 785 |
| GPY-SRC3/O3-B06-221 | 1025 | 432 | 640 | 1245 | 548 | 860 | 1466 | 665 | 1081 | 1686 | 780 | 1301 | | | | | | | 902 | 383 | 517 |
| GPY-SRC4/O4-B06-221 | 896 | 336 | 414 | 1116 | 452 | 635 | 1336 | 569 | 855 | 1557 | 685 | 1076 | 1777 | 802 | 1296 | 1997 | 917 | 1516 | 1128 | 479 | 646 |
| GPY-SRC5/O5-B06-221 | | | | 977 | 349 | 393 | 1197 | 466 | 613 | 1418 | 582 | 833 | 1638 | 699 | 1053 | 1858 | 814 | 1274 | 1370 | 582 | 785 |
| GPY-SRC6/O6-B06-221 | | | | | | | | | | 1261 | 465 | 559 | 1481 | 582 | 779 | 1701 | 698 | 1000 | 1644 | 698 | 942 |
| GPY-SRC4/O4-B08-221 | 1163 | 437 | 549 | 1449 | 587 | 834 | 1735 | 739 | 1120 | 2020 | 889 | 1405 | 2306 | 1041 | 1691 | 2591 | 1190 | 1976 | 1452 | 620 | 837 |
| GPY-SRC5/O5-B08-221 | | | | 1259 | 446 | 504 | 1544 | 598 | 789 | 1830 | 748 | 1075 | 2116 | 900 | 1361 | 2401 | 1049 | 1646 | 1782 | 761 | 1027 |
| GPY-SRC6/O6-B08-221 | | | | | | | | | | 1561 | 549 | 609 | 1847 | 701 | 895 | 2132 | 850 | 1180 | 2248 | 960 | 1296 |
| GPY-SRC3/O3-B08-251 | 1762 | 753 | 1147 | 2133 | 949 | 1518 | 2505 | 1145 | 1890 | 2876 | 1342 | 2261 | | | | | | | 1452 | 620 | 837 |
| GPY-SRC4/O4-B08-251 | 1572 | 612 | 817 | 1943 | 808 | 1188 | 2314 | 1004 | 1559 | 2685 | 1200 | 1930 | 3057 | 1397 | 2302 | 3428 | 1593 | 2673 | 1782 | 761 | 1027 |
| GPY-SRC5/O5-B08-251 | | | | 1674 | 609 | 722 | 2045 | 805 | 1093 | 2417 | 1001 | 1464 | 2788 | 1198 | 1836 | 3159 | 1394 | 2207 | 2248 | 960 | 1296 |
| GPY-SRC6/O6-B08-251 | | | | | | | | | | 2086 | 756 | 890 | 2457 | 953 | 1262 | 2829 | 1149 | 1633 | 2822 | 1205 | 1627 |
| GPY-SRC3/O3-B08-281 | 2247 | 969 | 1492 | 2714 | 1216 | 1959 | 3182 | 1463 | 2427 | 3650 | 1710 | 2895 | | | | | | | 1782 | 761 | 1027 |
| GPY-SRC4/O4-B08-281 | 1978 | 770 | 1026 | 2446 | 1017 | 1493 | 2914 | 1264 | 1961 | 3381 | 1511 | 2429 | 3849 | 1758 | 2897 | 4317 | 2005 | 3364 | 2248 | 960 | 1296 |
| GPY-SRC5/O5-B08-281 | | | | 2115 | 772 | 920 | 2583 | 1019 | 1387 | 3050 | 1266 | 1855 | 3518 | 1513 | 2323 | 3986 | 1760 | 2790 | 2822 | 1205 | 1627 |
| GPY-SRC6/O6-B08-281 | | | | | | | | | | 2677 | 989 | 1207 | 3145 | 1236 | 1675 | 3612 | 1484 | 2142 | 3470 | 1482 | 2000 |
| Model | Start | Run | End | Start | Run | End | Start | Run | End | Start | Run | End | Start | Run | End | Start | Run | End | Start | Run | End |
| | Air to Spring (3.5Bar) | | | Air to Spring (4Bar) | | | Air to Spring (4.5Bar) | | | Air to Spring (5Bar) | | | Air to Spring (5.5Bar) | | | Air to Spring (6Bar) | | | Spring Return | | |



| Model | Air to Spring (3.5Bar) | | | Air to Spring (4Bar) | | | Air to Spring (4.5Bar) | | | Air to Spring (5Bar) | | | Air to Spring (5.5Bar) | | | Air to Spring (6Bar) | | | Spring Return | | |
|--------------------|------------------------|------|-------|----------------------|-------|-------|------------------------|-------|-------|----------------------|-------|-------|------------------------|-------|-------|----------------------|-------|-------|---------------|-------|-------|
| | Start | Run | End | Start | Run | End | Start | Run | End | Start | Run | End | Start | Run | End | Start | Run | End | Start | Run | End |
| GPY-SRC3/O3-B1-281 | 2597 | 1108 | 1684 | 3145 | 1397 | 2232 | 3693 | 1687 | 2780 | 4241 | 1976 | 3328 | | | | | | | 2152 | 918 | 1239 |
| GPY-SRC4/O4-B1-281 | 2273 | 868 | 1123 | 2821 | 1158 | 1671 | 3369 | 1447 | 2219 | 3918 | 1736 | 2767 | 4466 | 2026 | 3315 | 5014 | 2315 | 3863 | 2714 | 1158 | 1563 |
| GPY-SRC5/O5-B1-281 | | | | 2382 | 832 | 908 | 2930 | 1121 | 1456 | 3478 | 1411 | 2004 | 4026 | 1700 | 2552 | 4574 | 1990 | 3100 | 3476 | 1483 | 2002 |
| GPY-SRC6/O6-B1-281 | | | | | | | | | | 3020 | 1072 | 1209 | 3568 | 1361 | 1757 | 4117 | 1651 | 2305 | 4271 | 1822 | 2460 |
| GPY-SRC3/O3-B1-321 | 3472 | 1501 | 2321 | 4192 | 1881 | 3041 | 4911 | 2261 | 3760 | 5630 | 2641 | 4479 | | | | | | | 2714 | 1158 | 1563 |
| GPY-SRC4/O4-B1-321 | 3033 | 1176 | 1558 | 3752 | 1556 | 2278 | 4471 | 1935 | 2997 | 5191 | 2315 | 3716 | 5910 | 2695 | 4436 | 6629 | 3075 | 5155 | 3476 | 1483 | 2002 |
| GPY-SRC5/O5-B1-321 | | | | 3294 | 1217 | 1483 | 4014 | 1596 | 2202 | 4733 | 1976 | 2922 | 5452 | 2356 | 3641 | 6172 | 2736 | 4360 | 4271 | 1822 | 2460 |
| GPY-SRC6/O6-B1-321 | | | | | | | | | | 3970 | 1411 | 1596 | 4689 | 1791 | 2315 | 5408 | 2170 | 3035 | 5597 | 2387 | 3223 |
| GPY-SRC3/O3-B1-351 | 4037 | 1706 | 2562 | 4900 | 2161 | 3425 | 5762 | 2617 | 4288 | 6625 | 3072 | 5150 | | | | | | | 3476 | 1483 | 2002 |
| GPY-SRC4/O4-B1-351 | 3579 | 1367 | 1768 | 4442 | 1822 | 2630 | 5305 | 2278 | 3493 | 6167 | 2734 | 4356 | 7030 | 3189 | 5219 | 7893 | 3645 | 6081 | 4271 | 1822 | 2460 |
| GPY-SRC5/O5-B1-351 | | | | 3679 | 1257 | 1305 | 4541 | 1713 | 2168 | 5404 | 2169 | 3030 | 6267 | 2624 | 3893 | 7129 | 3080 | 4755 | 5597 | 2387 | 3223 |
| GPY-SRC6/O6-B1-351 | | | | | | | | | | 4598 | 1571 | 1631 | 5461 | 2027 | 2494 | 6323 | 2483 | 3356 | 6996 | 2984 | 4029 |
| GPY-SRC3/O3-B1-401 | 5452 | 2356 | 3641 | 6583 | 2953 | 4771 | 7713 | 3550 | 5901 | | | | | | | | | | 4271 | 1822 | 2460 |
| GPY-SRC4/O4-B1-401 | 4689 | 1791 | 2315 | 5819 | 2387 | 3446 | 6950 | 2984 | 4576 | 8080 | 3581 | 5706 | | | | | | | 5597 | 2387 | 3223 |
| GPY-SRC5/O5-B1-401 | | | | 5014 | 1791 | 2047 | 6144 | 2387 | 3177 | 7274 | 2984 | 4307 | 8404 | 3581 | 5437 | | | | 6996 | 2984 | 4029 |
| GPY-SRC6/O6-B1-401 | | | | | | | | | | 6468 | 2387 | 2908 | 7599 | 2984 | 4038 | 8729 | 3581 | 5169 | 8395 | 3581 | 4834 |
| GPY-SRC4/O4-B2-401 | 5595 | 2136 | 2761 | 6943 | 2849 | 4110 | 8292 | 3561 | 5459 | 9641 | 4273 | 6807 | 10989 | 4985 | 8156 | 12338 | 5697 | 9505 | 6679 | 2849 | 3846 |
| GPY-SRC5/O5-B2-401 | | | | 5906 | 2080 | 2308 | 7255 | 2792 | 3657 | 8603 | 3505 | 5006 | 9952 | 4217 | 6354 | 11301 | 4929 | 7703 | 8481 | 3617 | 4883 |
| GPY-SRC6/O6-B2-401 | | | | | | | | | | 7382 | 2600 | 2885 | 8731 | 3312 | 4233 | 10079 | 4024 | 5582 | 10602 | 4522 | 6104 |
| GPY-SRC3/O3-B2-451 | 8142 | 3482 | 5309 | 9855 | 4386 | 7021 | 11567 | 5290 | 8734 | 13280 | 6195 | 10447 | | | | | | | 6679 | 2849 | 3846 |
| GPY-SRC4/O4-B2-451 | 7105 | 2713 | 3507 | 8817 | 3618 | 5220 | 10530 | 4522 | 6932 | 12243 | 5426 | 8645 | 13955 | 6331 | 10358 | 15668 | 7235 | 12070 | 8481 | 3617 | 4883 |
| GPY-SRC5/O5-B2-451 | | | | 7596 | 2713 | 3099 | 9309 | 3617 | 4811 | 11021 | 4522 | 6524 | 12734 | 5426 | 8237 | 14447 | 6330 | 9949 | 10602 | 4522 | 6104 |
| GPY-SRC6/O6-B2-451 | | | | | | | | | | 9801 | 3617 | 4404 | 11513 | 4522 | 6116 | 13226 | 5426 | 7829 | 12722 | 5426 | 7325 |
| GPY-SRC4/O4-B3-451 | 8479 | 3238 | 4189 | 10522 | 4317 | 6232 | 12566 | 5396 | 8276 | 14610 | 6475 | 10320 | 16654 | 7555 | 12364 | 18697 | 8634 | 14408 | 10118 | 4317 | 5828 |
| GPY-SRC5/O5-B3-451 | | | | 9098 | 3262 | 3759 | 11142 | 4341 | 5803 | 13185 | 5420 | 7847 | 15229 | 6499 | 9891 | 17273 | 7579 | 11935 | 12591 | 5372 | 7252 |
| GPY-SRC6/O6-B3-451 | | | | | | | | | | 11413 | 4107 | 4770 | 13457 | 5186 | 6813 | 15500 | 6266 | 8857 | 15668 | 6685 | 9025 |
| GPY-SRC3/O3-B3-501 | 11895 | 5042 | 7605 | 14427 | 6379 | 10137 | 16959 | 7716 | 12669 | 19491 | 9053 | 15201 | | | | | | | 10118 | 4317 | 5828 |
| GPY-SRC4/O4-B3-501 | 10471 | 3987 | 5132 | 13003 | 5324 | 7664 | 15534 | 6661 | 10196 | 18066 | 7997 | 12728 | 20598 | 9334 | 15260 | 23130 | 10671 | 17791 | 12591 | 5372 | 7252 |
| GPY-SRC5/O5-B3-501 | | | | 11230 | 4011 | 4587 | 13762 | 5348 | 7119 | 16294 | 6684 | 9650 | 18826 | 8021 | 12182 | 21357 | 9358 | 14714 | 15668 | 6685 | 9025 |
| GPY-SRC6/O6-B3-501 | | | | | | | | | | 13965 | 4959 | 5607 | 16497 | 6296 | 8139 | 19028 | 7633 | 10671 | 19711 | 8410 | 11354 |
| GPY-SRC3/O3-B3-561 | 15045 | 6402 | 9707 | 18231 | 8084 | 12892 | 21416 | 9766 | 16078 | 24601 | 11448 | 19263 | | | | | | | 12591 | 5372 | 7252 |
| GPY-SRC4/O4-B3-561 | 13273 | 5089 | 6630 | 16458 | 6771 | 9815 | 19643 | 8453 | 13000 | 22829 | 10135 | 16186 | 26014 | 11817 | 19371 | 29199 | 13499 | 22556 | 15668 | 6685 | 9025 |
| GPY-SRC5/O5-B3-561 | | | | 14129 | 5046 | 5771 | 17314 | 6728 | 8957 | 20500 | 8410 | 12142 | 23685 | 10092 | 15328 | 26871 | 11774 | 18513 | 19711 | 8410 | 11354 |
| GPY-SRC6/O6-B3-561 | | | | | | | | | | 18229 | 6728 | 8200 | 21414 | 8410 | 11385 | 24600 | 10092 | 14571 | 23654 | 10092 | 13624 |
| GPY-SRC3/O3-B3-631 | 19264 | 8253 | 12621 | 23306 | 10387 | 16662 | 27347 | 12521 | 20704 | 31388 | 14655 | 24745 | | | | | | | 15668 | 6685 | 9025 |
| GPY-SRC4/O4-B3-631 | 16935 | 6528 | 8578 | 20977 | 8662 | 12619 | 25018 | 10796 | 16660 | 29059 | 12930 | 20702 | 33100 | 15064 | 24743 | | | | 19711 | 8410 | 11354 |
| GPY-SRC5/O5-B3-631 | | | | 18706 | 6980 | 8677 | 22747 | 9114 | 12718 | 26788 | 11248 | 16759 | 30830 | 13382 | 20801 | 34871 | 15516 | 24842 | 23654 | 10092 | 13624 |
| GPY-SRC6/O6-B3-631 | | | | | | | | | | 23127 | 8536 | 10403 | 27169 | 10670 | 14445 | 31210 | 12804 | 18486 | 30010 | 12804 | 17286 |
| Model | Start | Run | End | Start | Run | End | Start | Run | End | Start | Run | End | Start | Run | End | Start | Run | End | Start | Run | End |
| | Air to Spring (3.5Bar) | | | Air to Spring (4Bar) | | | Air to Spring (4.5Bar) | | | Air to Spring (5Bar) | | | Air to Spring (5.5Bar) | | | Air to Spring (6Bar) | | | Spring Return | | |



| Model | Air to Spring (3.5Bar) | | | Air to Spring (4Bar) | | | Air to Spring (4.5Bar) | | | Air to Spring (5Bar) | | | Air to Spring (5.5Bar) | | | Air to Spring (6Bar) | | | Spring Return | | |
|---------------------|------------------------|-------|-------|----------------------|-------|-------|------------------------|-------|--------|----------------------|-------|--------|------------------------|-------|--------|----------------------|-------|--------|---------------|-------|--------|
| | Start | Run | End | Start | Run | End | Start | Run | End | Start | Run | End | Start | Run | End | Start | Run | End | Start | Run | End |
| GPY-SRC4/O4-B4-631 | 20142 | 7691 | 9929 | 24997 | 10255 | 14784 | 29852 | 12819 | 19640 | 34707 | 15383 | 24495 | 39562 | 17946 | 29350 | 44418 | 20510 | 34205 | 24057 | 10255 | 13844 |
| GPY-SRC5/O5-B4-631 | | | | 21536 | 7691 | 8770 | 26391 | 10255 | 13625 | 31246 | 12819 | 18480 | 36101 | 15383 | 23336 | 40956 | 17946 | 28191 | 30071 | 12819 | 17306 |
| GPY-SRC6/O6-B4-631 | | | | | | | | | | 26150 | 9044 | 9625 | 31005 | 11608 | 14480 | 35860 | 14171 | 19335 | 38927 | 16594 | 22402 |
| GPY-SRC3/O3-B4-701 | 28187 | 11940 | 17974 | 34191 | 15110 | 23979 | 40196 | 18281 | 29983 | 46200 | 21452 | 35988 | | | | | | | 24057 | 10255 | 13844 |
| GPY-SRC4/O4-B4-701 | 24726 | 9376 | 11960 | 30730 | 12546 | 17964 | 36735 | 15717 | 23969 | 42739 | 18888 | 29973 | 48743 | 22058 | 35978 | 54748 | 25229 | 41982 | 30071 | 12819 | 17306 |
| GPY-SRC5/O5-B4-701 | | | | 25634 | 8771 | 9109 | 31638 | 11942 | 15113 | 37643 | 15113 | 21118 | 43647 | 18283 | 27122 | 49651 | 21454 | 33126 | 38927 | 16594 | 22402 |
| GPY-SRC6/O6-B4-701 | | | | | | | | | | 32043 | 10965 | 11387 | 38047 | 14135 | 17391 | 44052 | 17306 | 23396 | 48657 | 20742 | 28002 |
| GPY-SRC4/O4-B4-801 | 32591 | 12445 | 16066 | 40447 | 16594 | 23922 | 48303 | 20742 | 31778 | 56160 | 24891 | 39635 | 64016 | 29039 | 47491 | | | | 38927 | 16594 | 22402 |
| GPY-SRC5/O5-B4-801 | | | | 34848 | 12446 | 14192 | 42704 | 16594 | 22048 | 50560 | 20743 | 29904 | 58416 | 24891 | 37760 | 66272 | 29040 | 45616 | 48657 | 20742 | 28002 |
| GPY-SRC6/O6-B4-801 | | | | | | | | | | 44959 | 16594 | 20172 | 52815 | 20742 | 28028 | 60671 | 24891 | 35884 | 58390 | 24891 | 33603 |
| GPY-SRC4/O4-B5-801 | 39105 | 14933 | 19277 | 48531 | 19910 | 28703 | 57957 | 24888 | 38130 | 67384 | 29865 | 47556 | 76810 | 34843 | 56982 | 86236 | 39820 | 66408 | 46707 | 19910 | 26879 |
| GPY-SRC5/O5-B5-801 | | | | 41336 | 14581 | 16201 | 50763 | 19558 | 25627 | 60189 | 24536 | 35054 | 69615 | 29513 | 44480 | 79041 | 34491 | 53906 | 59209 | 25240 | 34074 |
| GPY-SRC6/O6-B5-801 | | | | | | | | | | 51671 | 18226 | 20251 | 61097 | 23204 | 29678 | 70523 | 28181 | 39104 | 74011 | 31550 | 42592 |
| GPY-SRC3/O3-B5-901 | 56767 | 24259 | 36939 | 68717 | 30569 | 48889 | 80666 | 36879 | 60838 | 92615 | 43189 | 72788 | | | | | | | 46707 | 19910 | 26879 |
| GPY-SRC4/O4-B5-901 | 49572 | 18930 | 24437 | 61522 | 25240 | 36387 | 73471 | 31550 | 48336 | 85421 | 37860 | 60285 | 97370 | 44169 | 72235 | 109319 | 50479 | 84184 | 59209 | 25240 | 34074 |
| GPY-SRC5/O5-B5-901 | | | | 53003 | 18930 | 21584 | 64953 | 25240 | 33534 | 76902 | 31550 | 45483 | 88852 | 37860 | 57433 | 100801 | 44169 | 69382 | 74011 | 31550 | 42592 |
| GPY-SRC6/O6-B5-901 | | | | | | | | | | 68384 | 25240 | 30681 | 80333 | 31550 | 42630 | 92283 | 37860 | 54580 | 88813 | 37860 | 51110 |
| GPY-SRC4/O4-B6-801 | 52517 | 20054 | 26069 | 65176 | 26739 | 38729 | 77835 | 33424 | 51388 | 90495 | 40108 | 64047 | 103154 | 46793 | 76706 | 115813 | 53478 | 89365 | 62545 | 26739 | 36098 |
| GPY-SRC5/O5-B6-801 | | | | 55491 | 19565 | 21947 | 68150 | 26249 | 34606 | 80809 | 32934 | 47266 | 93469 | 39619 | 59925 | 106128 | 46304 | 72584 | 79327 | 33913 | 45783 |
| GPY-SRC6/O6-B6-801 | | | | | | | | | | 69364 | 24456 | 27434 | 82023 | 31141 | 40093 | 94682 | 37825 | 52752 | 99158 | 42392 | 57229 |
| GPY-SRC3/O3-B6-901 | 76293 | 32609 | 49845 | 92349 | 41087 | 65901 | 108404 | 49566 | 81957 | 124460 | 58044 | 98013 | | | | | | | 62545 | 26739 | 36098 |
| GPY-SRC4/O4-B6-901 | 66608 | 25435 | 33064 | 82663 | 33913 | 49120 | 98719 | 42392 | 65175 | 114775 | 50870 | 81231 | 130831 | 59348 | 97287 | 146887 | 67826 | 113343 | 79327 | 33913 | 45783 |
| GPY-SRC5/O5-B6-901 | | | | 71218 | 25435 | 29288 | 87274 | 33913 | 45344 | 103329 | 42392 | 61400 | 119385 | 50870 | 77455 | 135441 | 59348 | 93511 | 99158 | 42392 | 57229 |
| GPY-SRC6/O6-B6-901 | | | | | | | | | | 89798 | 32369 | 37955 | 105854 | 40847 | 54011 | 121910 | 49325 | 70067 | 122603 | 52414 | 70759 |
| GPY-SRC3/O3-B6-1001 | 93181 | 39467 | 59637 | 113033 | 49950 | 79489 | 132885 | 60433 | 99341 | 152737 | 70916 | 119193 | | | | | | | 79327 | 33913 | 45783 |
| GPY-SRC4/O4-B6-1001 | 81735 | 30989 | 39805 | 101587 | 41472 | 59657 | 121439 | 51954 | 79509 | 141291 | 62437 | 99361 | 161143 | 72920 | 119213 | 180995 | 83403 | 139065 | 99158 | 42392 | 57229 |
| GPY-SRC5/O5-B6-1001 | | | | 88056 | 31449 | 36213 | 107908 | 41932 | 56065 | 127760 | 52414 | 75917 | 147612 | 62897 | 95769 | 167464 | 73380 | 115621 | 122603 | 52414 | 70759 |
| GPY-SRC6/O6-B6-1001 | | | | | | | | | | 113608 | 41932 | 51396 | 133460 | 52414 | 71248 | 153312 | 62897 | 91100 | 147123 | 62897 | 84911 |
| GPY-SRC3/O3-B6-1101 | 111105 | 46498 | 69176 | 135153 | 59196 | 93223 | 159201 | 71895 | 117271 | 183249 | 84593 | 141319 | | | | | | | 99158 | 42392 | 57229 |
| GPY-SRC4/O4-B6-1101 | 97575 | 36475 | 45731 | 121622 | 49173 | 69779 | 145670 | 61872 | 93827 | 169718 | 74570 | 117874 | 193765 | 87269 | 141922 | 217813 | 99967 | 165970 | 122603 | 52414 | 70759 |
| GPY-SRC5/O5-B6-1101 | | | | 107470 | 38690 | 45258 | 131518 | 51389 | 69306 | 155566 | 64087 | 93354 | 179614 | 76786 | 117401 | 203661 | 89484 | 141449 | 147123 | 62897 | 84911 |
| GPY-SRC6/O6-B6-1101 | | | | | | | | | | 137620 | 50794 | 62259 | 161667 | 63492 | 86307 | 185715 | 76191 | 110354 | 178218 | 76191 | 102858 |

| Model | Start | Run | End | Start | Run | End | Start | Run | End | Start | Run | End | Start | Run | End | Start | Run | End | Start | Run | End |
|-------|------------------------|-----|-----|----------------------|-----|-----|------------------------|-----|-----|----------------------|-----|-----|------------------------|-----|-----|----------------------|-----|-----|---------------|-----|-----|
| | Air to Spring (3.5Bar) | | | Air to Spring (4Bar) | | | Air to Spring (4.5Bar) | | | Air to Spring (5Bar) | | | Air to Spring (5.5Bar) | | | Air to Spring (6Bar) | | | Spring Return | | |

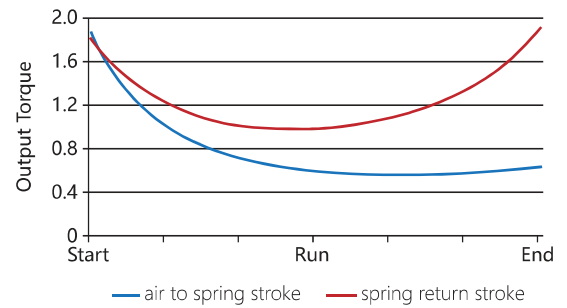
The torque of the springs can be customized to your needs.

FC, air failure close, air to spring open, spring return close.

FO, air failure open, air to spring close, spring return open.



GPY-C Series Canted Yoke Output Torque of Spring Return (FC)



| Model | Air to Spring (3.5Bar) | | | Air to Spring (4Bar) | | | Air to Spring (4.5Bar) | | | Air to Spring (5Bar) | | | Air to Spring (5.5Bar) | | | Air to Spring (6Bar) | | | Spring Return | | |
|------------------|------------------------|------|------|----------------------|------|------|------------------------|------|------|----------------------|------|------|------------------------|------|------|----------------------|------|------|---------------|------|-------|
| | Start | Run | End | Start | Run | End | Start | Run | End | Start | Run | End | Start | Run | End | Start | Run | End | Start | Run | End |
| GPY-SRC4-C06-201 | 653 | 184 | 152 | 870 | 279 | 305 | 1088 | 373 | 457 | 1306 | 468 | 610 | 1523 | 563 | 762 | 1741 | 658 | 915 | 915 | 479 | 870 |
| GPY-SRC5-C06-201 | | | | | | | 870 | 254 | 228 | 1088 | 348 | 381 | 1306 | 443 | 533 | 1523 | 538 | 686 | 1144 | 599 | 1088 |
| GPY-SRC6-C06-201 | | | | | | | | | | 854 | 220 | 135 | 1072 | 314 | 288 | 1290 | 409 | 440 | 1390 | 728 | 1322 |
| GPY-SRC3-C06-221 | 980 | 326 | 382 | 1245 | 442 | 567 | 1509 | 557 | 752 | 1773 | 672 | 937 | | | | | | | 915 | 479 | 870 |
| GPY-SRC4-C06-221 | 763 | 207 | 153 | 1027 | 322 | 338 | 1291 | 437 | 523 | 1556 | 552 | 708 | 1820 | 667 | 894 | 2084 | 782 | 1079 | 1144 | 599 | 1088 |
| GPY-SRC5-C06-221 | | | | | | | 1058 | 308 | 277 | 1322 | 423 | 463 | 1586 | 538 | 648 | 1851 | 653 | 833 | 1390 | 728 | 1322 |
| GPY-SRC6-C06-221 | | | | | | | | | | 1058 | 278 | 185 | 1322 | 393 | 370 | 1586 | 508 | 555 | 1668 | 874 | 1586 |
| GPY-SRC4-C08-221 | 1010 | 277 | 220 | 1353 | 427 | 460 | 1696 | 576 | 701 | 2038 | 725 | 941 | 2381 | 874 | 1181 | 2724 | 1024 | 1421 | 1462 | 768 | 1390 |
| GPY-SRC5-C08-221 | | | | | | | 1338 | 378 | 324 | 1680 | 527 | 564 | 2023 | 677 | 805 | 2366 | 826 | 1045 | 1838 | 966 | 1748 |
| GPY-SRC6-C08-221 | | | | | | | | | | | | | 1544 | 412 | 301 | 1887 | 561 | 541 | 2342 | 1230 | 2227 |
| GPY-SRC3-C08-251 | 1728 | 590 | 724 | 2174 | 784 | 1036 | 2619 | 978 | 1348 | 3065 | 1172 | 1660 | | | | | | | 1462 | 768 | 1390 |
| GPY-SRC4-C08-251 | 1370 | 392 | 347 | 1816 | 586 | 659 | 2261 | 780 | 971 | 2707 | 974 | 1284 | 3152 | 1168 | 1596 | 3598 | 1362 | 1908 | 1838 | 966 | 1748 |
| GPY-SRC5-C08-251 | | | | | | | 1782 | 516 | 467 | 2227 | 710 | 780 | 2673 | 904 | 1092 | 3118 | 1098 | 1404 | 2342 | 1230 | 2227 |
| GPY-SRC6-C08-251 | | | | | | | | | | 1715 | 426 | 240 | 2160 | 620 | 553 | 2606 | 814 | 865 | 2882 | 1513 | 2740 |
| GPY-SRC3-C08-281 | 2180 | 745 | 915 | 2742 | 989 | 1308 | 3303 | 1234 | 1701 | 3864 | 1478 | 2095 | | | | | | | 1838 | 966 | 1748 |
| GPY-SRC4-C08-281 | 1701 | 480 | 411 | 2262 | 725 | 804 | 2823 | 969 | 1197 | 3385 | 1213 | 1591 | 3946 | 1458 | 1984 | | | | 2342 | 1230 | 2227 |
| GPY-SRC5-C08-281 | | | | 1750 | 442 | 265 | 2311 | 686 | 658 | 2872 | 930 | 1051 | 3433 | 1175 | 1445 | 3994 | 1419 | 1838 | 2882 | 1513 | 2740 |
| GPY-SRC6-C08-281 | | | | | | | | | | 2245 | 584 | 392 | 2806 | 828 | 785 | 3367 | 1073 | 1179 | 3541 | 1860 | 3367 |
| GPY-SRC3-C1-281 | 2517 | 853 | 1033 | 3175 | 1139 | 1493 | 3833 | 1426 | 1954 | 4490 | 1712 | 2415 | | | | | | | 2194 | 1152 | 2086 |
| GPY-SRC4-C1-281 | 1973 | 552 | 460 | 2630 | 839 | 921 | 3288 | 1125 | 1382 | 3946 | 1411 | 1842 | 4603 | 1698 | 2303 | 5261 | 1984 | 2764 | 2766 | 1452 | 2630 |
| GPY-SRC5-C1-281 | | | | | | | 2549 | 717 | 604 | 3206 | 1003 | 1065 | 3864 | 1289 | 1526 | 4521 | 1576 | 1986 | 3544 | 1861 | 3370 |
| GPY-SRC6-C1-281 | | | | | | | | | | | | | 3093 | 864 | 715 | 3750 | 1150 | 1176 | 4355 | 2286 | 4141 |
| GPY-SRC3-C1-321 | 3411 | 1179 | 1468 | 4275 | 1555 | 2073 | 5138 | 1930 | 2678 | 6001 | 2306 | 3283 | | | | | | | 2766 | 1452 | 2630 |
| GPY-SRC4-C1-321 | 2672 | 770 | 690 | 3535 | 1146 | 1295 | 4398 | 1522 | 1900 | 5261 | 1898 | 2505 | 6124 | 2274 | 3110 | 6988 | 2650 | 3715 | 3544 | 1861 | 3370 |
| GPY-SRC5-C1-321 | | | | 2764 | 721 | 484 | 3627 | 1096 | 1089 | 4490 | 1472 | 1694 | 5353 | 1848 | 2299 | 6217 | 2224 | 2904 | 4355 | 2286 | 4141 |
| GPY-SRC6-C1-321 | | | | | | | | | | 3371 | 854 | 517 | 4234 | 1230 | 1122 | 5098 | 1606 | 1727 | 5532 | 2904 | 5260 |
| GPY-SRC3-C1-351 | 3877 | 1295 | 1535 | 4912 | 1746 | 2260 | 5947 | 2197 | 2986 | 6982 | 2647 | 3711 | | | | | | | 3544 | 1861 | 3370 |
| GPY-SRC4-C1-351 | 3106 | 869 | 724 | 4141 | 1320 | 1449 | 5176 | 1771 | 2175 | 6211 | 2222 | 2900 | 7247 | 2673 | 3626 | 8282 | 3123 | 4351 | 4355 | 2286 | 4141 |
| GPY-SRC5-C1-351 | | | | | | | 4057 | 1153 | 998 | 5092 | 1604 | 1724 | 6128 | 2055 | 2449 | 7163 | 2506 | 3175 | 5532 | 2904 | 5260 |
| GPY-SRC6-C1-351 | | | | | | | | | | 3856 | 922 | 424 | 4892 | 1372 | 1149 | 5927 | 1823 | 1875 | 6832 | 3586 | 6496 |
| GPY-SRC3-C1-401 | 5353 | 1848 | 2299 | 6710 | 2439 | 3250 | 8066 | 3029 | 4200 | | | | | | | | | | 4355 | 2286 | 4141 |
| GPY-SRC4-C1-401 | 4234 | 1230 | 1122 | 5591 | 1821 | 2073 | 6947 | 2412 | 3023 | 8303 | 3002 | 3974 | | | | | | | 5532 | 2904 | 5260 |
| GPY-SRC5-C1-401 | | | | 4355 | 1139 | 773 | 5711 | 1729 | 1724 | 7067 | 2320 | 2674 | 8424 | 2910 | 3625 | | | | 6832 | 3586 | 6496 |
| GPY-SRC6-C1-401 | | | | | | | | | | 5425 | 1413 | 947 | 6782 | 2004 | 1898 | 8138 | 2595 | 2848 | 8559 | 4493 | 8138 |
| GPY-SRC4-C2-401 | 4855 | 1359 | 1132 | 6473 | 2064 | 2266 | 8092 | 2769 | 3400 | 9710 | 3474 | 4534 | 11329 | 4178 | 5668 | 12947 | 4883 | 6803 | 6808 | 3574 | 6473 |
| GPY-SRC5-C2-401 | | | | | | | 6345 | 1805 | 1563 | 7963 | 2509 | 2697 | 9582 | 3214 | 3831 | 11200 | 3919 | 4965 | 8645 | 4538 | 8220 |
| GPY-SRC6-C2-401 | | | | | | | | | | 6192 | 1531 | 834 | 7810 | 2236 | 1968 | 9428 | 2941 | 3102 | 10508 | 5516 | 9992 |
| GPY-SRC3-C2-451 | 7912 | 2691 | 3274 | 9967 | 3586 | 4714 | 12022 | 4480 | 6154 | 14077 | 5375 | 7595 | | | | | | | 6808 | 3574 | 6473 |
| GPY-SRC4-C2-451 | 6165 | 1726 | 1437 | 8220 | 2621 | 2877 | 10275 | 3516 | 4317 | 12330 | 4411 | 5758 | 14385 | 5306 | 7198 | 16441 | 6201 | 8638 | 8645 | 4538 | 8220 |
| GPY-SRC5-C2-451 | | | | 6449 | 1643 | 1014 | 8504 | 2538 | 2454 | 10559 | 3433 | 3894 | 12614 | 4328 | 5335 | 14669 | 5223 | 6775 | 10508 | 5516 | 9992 |
| GPY-SRC6-C2-451 | | | | | | | | | | 8220 | 2142 | 1435 | 10275 | 3037 | 2875 | 12330 | 3932 | 4316 | 12967 | 6807 | 12330 |

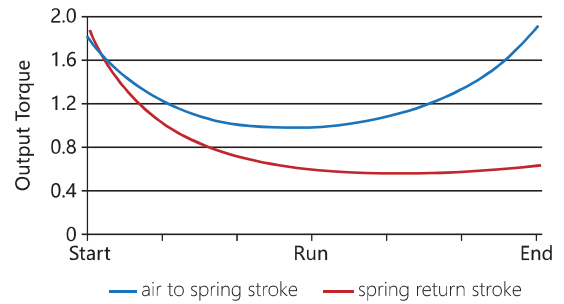


| Model | Air to Spring (3.5Bar) | | | Air to Spring (4Bar) | | | Air to Spring (4.5Bar) | | | Air to Spring (5Bar) | | | Air to Spring (5.5Bar) | | | Air to Spring (6Bar) | | | Spring Return | | | | | |
|------------------|------------------------|-------|-------|----------------------|-------|-------|------------------------|-------|-------|----------------------|-------|-------|------------------------|-------|-------|----------------------|-------|--------|---------------|-------|--------|--------|-------|--------|
| | Start | Run | End | Start | Run | End | Start | Run | End | Start | Run | End | Start | Run | End | Start | Run | End | Start | Run | End | | | |
| GPY-SRC4-C3-451 | 7358 | 2059 | 1715 | 9810 | 3127 | 3434 | 12263 | 4195 | 5152 | 14715 | 5263 | 6871 | 17168 | 6331 | 8590 | 19620 | 7399 | 10309 | 10317 | 5417 | 9810 | | | |
| GPY-SRC5-C3-451 | | | | | | | 9810 | 2841 | 2573 | 12263 | 3909 | 4292 | 14715 | 4977 | 6011 | 17168 | 6045 | 7730 | 12896 | 6771 | 12263 | | | |
| GPY-SRC6-C3-451 | | | | | | | | | | | | | 11787 | 3360 | 2931 | 14239 | 4428 | 4650 | 15976 | 8388 | 15191 | | | |
| GPY-SRC3-C3-501 | 11457 | 3845 | 4588 | 14496 | 5168 | 6717 | 17534 | 6491 | 8847 | 20572 | 7814 | 10976 | | | | | | | 10317 | 5417 | 9810 | | | |
| GPY-SRC4-C3-501 | 9005 | 2490 | 2009 | 12043 | 3813 | 4138 | 15081 | 5136 | 6267 | 18120 | 6459 | 8397 | 21158 | 7782 | 10526 | 24196 | 9105 | 12655 | 12896 | 6771 | 12263 | | | |
| GPY-SRC5-C3-501 | | | | | | | 12153 | 3519 | 3188 | 15191 | 4842 | 5317 | 18229 | 6165 | 7446 | 21267 | 7489 | 9575 | 15976 | 8388 | 15191 | | | |
| GPY-SRC6-C3-501 | | | | | | | | | | | | | 14308 | 4000 | 3322 | 17346 | 5324 | 5452 | 20100 | 10553 | 19112 | | | |
| GPY-SRC3-C3-561 | 14494 | 4881 | 5856 | 18317 | 6545 | 8535 | 22139 | 8210 | 11214 | 25962 | 9874 | 13893 | | | | | | | 12896 | 6771 | 12263 | | | |
| GPY-SRC4-C3-561 | 11566 | 3264 | 2776 | 15388 | 4928 | 5455 | 19211 | 6593 | 8134 | 23033 | 8257 | 10813 | 26856 | 9922 | 13492 | 30678 | 11586 | 16171 | 15976 | 8388 | 15191 | | | |
| GPY-SRC5-C3-561 | | | | | | | 15290 | 4428 | 4010 | 19112 | 6092 | 6689 | 22935 | 7757 | 9368 | 26757 | 9421 | 12047 | 20100 | 10553 | 19112 | | | |
| GPY-SRC6-C3-561 | | | | | | | | | | | | | 16251 | 4513 | 3681 | 20074 | 6177 | 6360 | 23896 | 7842 | 9039 | 23108 | 12132 | 21973 |
| GPY-SRC3-C3-631 | 18756 | 6395 | 7815 | 23605 | 8507 | 11214 | 28455 | 10618 | 14613 | 33304 | 12730 | 18011 | | | | | | | 15976 | 8388 | 15191 | | | |
| GPY-SRC4-C3-631 | 14835 | 4230 | 3691 | 19684 | 6342 | 7090 | 24534 | 8453 | 10489 | 29383 | 10565 | 13888 | 34233 | 12677 | 17286 | | | | 20100 | 10553 | 19112 | | | |
| GPY-SRC5-C3-631 | | | | | | | 18300 | 5011 | 3933 | 23149 | 7123 | 7332 | 27999 | 9235 | 10730 | 32849 | 11347 | 14129 | 26656 | 13995 | 25346 | | | |
| GPY-SRC6-C3-631 | | | | | | | | | | | | | 19305 | 5000 | 3288 | 24154 | 7112 | 6687 | 29004 | 9224 | 10086 | 30699 | 16118 | 29191 |
| GPY-SRC4-C4-631 | 15932 | 4047 | 2447 | 21759 | 6584 | 6531 | 27585 | 9121 | 10614 | 33411 | 11658 | 14697 | 39237 | 14195 | 18780 | 45063 | 16732 | 22863 | 26135 | 13712 | 24851 | | | |
| GPY-SRC5-C4-631 | | | | | | | 23305 | 6760 | 6113 | 29131 | 9297 | 10196 | 34957 | 11834 | 14279 | 40783 | 14371 | 18362 | 30636 | 16074 | 29131 | | | |
| GPY-SRC6-C4-631 | | | | | | | | | | | | | 28061 | 8029 | 7027 | 33888 | 10566 | 11110 | 37888 | 19879 | 36027 | | | |
| GPY-SRC3-C4-701 | 25586 | 8251 | 9213 | 32792 | 11389 | 14263 | 39997 | 14526 | 19313 | 47202 | 17664 | 24362 | | | | | | | 26135 | 13712 | 24851 | | | |
| GPY-SRC4-C4-701 | 21306 | 5889 | 4712 | 28512 | 9027 | 9762 | 35717 | 12165 | 14812 | 42922 | 15302 | 19861 | 50128 | 18440 | 24911 | 57333 | 21578 | 29961 | 30636 | 16074 | 29131 | | | |
| GPY-SRC5-C4-701 | | | | | | | 28821 | 8360 | 7560 | 36027 | 11497 | 12609 | 43232 | 14635 | 17659 | 50437 | 17773 | 22709 | 37888 | 19879 | 36027 | | | |
| GPY-SRC6-C4-701 | | | | | | | | | | | | | 34074 | 9582 | 8028 | 41280 | 12719 | 13078 | 47519 | 24932 | 45184 | | | |
| GPY-SRC3-C4-801 | 36861 | 12663 | 15613 | 46288 | 16768 | 22220 | 55715 | 20873 | 28827 | 65143 | 24978 | 35434 | | | | | | | 30636 | 16074 | 29131 | | | |
| GPY-SRC4-C4-801 | 29965 | 8858 | 8361 | 39392 | 12963 | 14968 | 48820 | 17068 | 21575 | 58247 | 21173 | 28182 | 67674 | 25279 | 34789 | | | | 37888 | 19879 | 36027 | | | |
| GPY-SRC5-C4-801 | | | | 30235 | 7910 | 5337 | 39662 | 12015 | 11944 | 49089 | 16120 | 18551 | 58517 | 20226 | 25158 | 67944 | 24331 | 31765 | 47519 | 24932 | 45184 | | | |
| GPY-SRC6-C4-801 | | | | | | | | | | | | | 37710 | 9841 | 6583 | 47137 | 13946 | 13190 | 56564 | 18052 | 19798 | 59487 | 31211 | 56564 |
| GPY-SRC4-C5-801 | 33935 | 9512 | 7909 | 45246 | 14438 | 15836 | 56558 | 19364 | 23764 | 67869 | 24289 | 31691 | 79181 | 29215 | 39619 | 90492 | 34141 | 47546 | 47584 | 24968 | 45246 | | | |
| GPY-SRC5-C5-801 | | | | | | | 44446 | 12680 | 11027 | 55758 | 17606 | 18954 | 67069 | 22532 | 26882 | 78381 | 27457 | 34809 | 60321 | 31651 | 57357 | | | |
| GPY-SRC6-C5-801 | | | | | | | | | | | | | 54644 | 15675 | 13814 | 65955 | 20601 | 21742 | 73388 | 38508 | 69783 | | | |
| GPY-SRC3-C5-901 | 55129 | 18742 | 22763 | 69468 | 24986 | 32812 | 83808 | 31230 | 42861 | 98147 | 37474 | 52911 | | | | | | | 47584 | 24968 | 45246 | | | |
| GPY-SRC4-C5-901 | 43018 | 12058 | 10026 | 57357 | 18302 | 20075 | 71696 | 24547 | 30124 | 86036 | 30791 | 40174 | 100375 | 37035 | 50223 | 114714 | 43279 | 60273 | 60321 | 31651 | 57357 | | | |
| GPY-SRC5-C5-901 | | | | 44932 | 11446 | 7007 | 59271 | 17690 | 17057 | 73610 | 23934 | 27106 | 87950 | 30178 | 37156 | 102289 | 36423 | 47205 | 73388 | 38508 | 69783 | | | |
| GPY-SRC6-C5-901 | | | | | | | | | | | | | 57357 | 14965 | 10014 | 71696 | 21210 | 20063 | 86036 | 27454 | 30113 | 90481 | 47477 | 86036 |
| GPY-SRC4-C6-801 | 45573 | 12721 | 10621 | 60764 | 19336 | 21267 | 75955 | 25951 | 31914 | 91146 | 32566 | 42560 | 106337 | 39181 | 53207 | 121528 | 45796 | 63853 | 63904 | 33585 | 60764 | | | |
| GPY-SRC5-C6-801 | | | | | | | 59652 | 16940 | 14768 | 74843 | 23555 | 25414 | 90034 | 30170 | 36061 | 105225 | 36785 | 46707 | 81050 | 42596 | 77068 | | | |
| GPY-SRC6-C6-801 | | | | | | | | | | | | | 72845 | 20669 | 17984 | 88036 | 27284 | 28630 | 99127 | 52097 | 94257 | | | |
| GPY-SRC3-C6-901 | 74104 | 25145 | 30617 | 93371 | 33535 | 44120 | 112638 | 41925 | 57623 | 131905 | 50315 | 71125 | | | | | | | 63904 | 33585 | 60764 | | | |
| GPY-SRC4-C6-901 | 57801 | 16134 | 13471 | 77068 | 24524 | 26974 | 96335 | 32914 | 40477 | 115602 | 41304 | 53980 | 134869 | 49694 | 67482 | 154136 | 58084 | 80985 | 81050 | 42596 | 77068 | | | |
| GPY-SRC5-C6-901 | | | | | | | 79146 | 23413 | 22399 | 98413 | 31803 | 35902 | 117680 | 40193 | 49405 | 136946 | 48583 | 62908 | 99127 | 52097 | 94257 | | | |
| GPY-SRC6-C6-901 | | | | | | | | | | | | | 94580 | 27425 | 25112 | 113847 | 35815 | 38615 | 123420 | 64864 | 117357 | | | |
| GPY-SRC3-C6-1001 | 89689 | 30019 | 35819 | 113511 | 40393 | 52514 | 137333 | 50767 | 69210 | 161156 | 61141 | 85905 | | | | | | | 81050 | 42596 | 77068 | | | |
| GPY-SRC4-C6-1001 | 72500 | 20519 | 17742 | 96322 | 30893 | 34437 | 120144 | 41266 | 51133 | 143967 | 51640 | 67828 | 167789 | 62014 | 84524 | 191611 | 72387 | 101219 | 99127 | 52097 | 94257 | | | |
| GPY-SRC5-C6-1001 | | | | | | | 97044 | 28499 | 26839 | 120867 | 38872 | 43535 | 144689 | 49246 | 60230 | 168511 | 59620 | 76926 | 123420 | 64864 | 117357 | | | |
| GPY-SRC6-C6-1001 | | | | | | | | | | | | | 95289 | 24735 | 16636 | 119112 | 35109 | 33331 | 142934 | 45483 | 50027 | 150319 | 79001 | 142934 |

The torque of the springs can be customized to your needs.



GPY-C Series Canted Yoke Output Torque of Spring Return (FO)



Unit: Nm

| Model | Air to Spring (3.5Bar) | | | Air to Spring (4Bar) | | | Air to Spring (4.5Bar) | | | Air to Spring (5Bar) | | | Air to Spring (5.5Bar) | | | Air to Spring (6Bar) | | | Spring Return | | | | |
|------------------|------------------------|------|------|----------------------|------|------|------------------------|------|-------|----------------------|------|-------|------------------------|------|-------|----------------------|------|-------|---------------|------|------|-------|-----|
| | Start | Run | End | Start | Run | End | Start | Run | End | Start | Run | End | Start | Run | End | Start | Run | End | Start | Run | End | Start | Run |
| GPY-SRO4-C06-201 | 763 | 376 | 653 | 915 | 471 | 870 | 1068 | 566 | 1088 | 1221 | 660 | 1306 | 1373 | 755 | 1523 | 1526 | 850 | 1741 | 870 | 287 | 305 | | |
| GPY-SRO5-C06-201 | | | | 839 | 399 | 653 | 992 | 494 | 870 | 1144 | 589 | 1088 | 1297 | 683 | 1306 | 1449 | 778 | 1523 | 1088 | 359 | 381 | | |
| GPY-SRO6-C06-201 | | | | | | | | | | 1063 | 512 | 854 | 1215 | 606 | 1072 | 1368 | 701 | 1290 | 1322 | 436 | 463 | | |
| GPY-SRO3-C06-221 | 992 | 519 | 980 | 1178 | 634 | 1245 | 1363 | 749 | 1509 | 1548 | 864 | 1773 | | | | | | | 870 | 287 | 305 | | |
| GPY-SRO4-C06-221 | 916 | 447 | 763 | 1101 | 562 | 1027 | 1287 | 677 | 1291 | 1472 | 792 | 1556 | 1657 | 907 | 1820 | 1843 | 1023 | 2084 | 1088 | 359 | 381 | | |
| GPY-SRO5-C06-221 | | | | 1020 | 485 | 793 | 1205 | 600 | 1058 | 1390 | 715 | 1322 | 1575 | 830 | 1586 | 1761 | 945 | 1851 | 1322 | 436 | 463 | | |
| GPY-SRO6-C06-221 | | | | | | | | | | 1298 | 628 | 1058 | 1483 | 743 | 1322 | 1668 | 858 | 1586 | 1586 | 523 | 555 | | |
| GPY-SRO4-C08-221 | 1195 | 586 | 1010 | 1436 | 735 | 1353 | 1676 | 884 | 1696 | 1916 | 1033 | 2038 | 2157 | 1183 | 2381 | 2397 | 1332 | 2724 | 1390 | 459 | 487 | | |
| GPY-SRO5-C08-221 | | | | 1317 | 623 | 1014 | 1557 | 772 | 1357 | 1798 | 921 | 1699 | 2038 | 1071 | 2042 | 2278 | 1220 | 2385 | 1729 | 572 | 605 | | |
| GPY-SRO6-C08-221 | | | | | | | | | | 1623 | 757 | 1201 | 1863 | 906 | 1544 | 2104 | 1055 | 1887 | 2227 | 736 | 780 | | |
| GPY-SRO3-C08-251 | 1699 | 898 | 1728 | 2011 | 1092 | 2174 | 2323 | 1286 | 2619 | 2635 | 1480 | 3065 | | | | | | | 1390 | 459 | 487 | | |
| GPY-SRO4-C08-251 | 1580 | 786 | 1389 | 1892 | 980 | 1835 | 2205 | 1174 | 2280 | 2517 | 1368 | 2726 | 2829 | 1562 | 3171 | 3141 | 1756 | 3617 | 1729 | 572 | 605 | | |
| GPY-SRO5-C08-251 | | | | 1718 | 816 | 1336 | 2030 | 1010 | 1782 | 2342 | 1204 | 2227 | 2655 | 1398 | 2673 | 2967 | 1591 | 3118 | 2227 | 736 | 780 | | |
| GPY-SRO6-C08-251 | | | | | | | | | | 2163 | 1034 | 1715 | 2475 | 1228 | 2160 | 2787 | 1422 | 2606 | 2740 | 906 | 959 | | |
| GPY-SRO3-C08-281 | 2148 | 1139 | 2199 | 2541 | 1383 | 2761 | 2935 | 1628 | 3322 | 3328 | 1872 | 3883 | | | | | | | 1729 | 572 | 605 | | |
| GPY-SRO4-C08-281 | 1974 | 974 | 1701 | 2367 | 1219 | 2262 | 2760 | 1463 | 2823 | 3153 | 1707 | 3385 | 3547 | 1952 | 3946 | | | | 2227 | 736 | 780 | | |
| GPY-SRO5-C08-281 | | | | 2187 | 1049 | 1750 | 2581 | 1294 | 2311 | 2974 | 1538 | 2872 | 3367 | 1782 | 3433 | 3761 | 2027 | 3994 | 2740 | 906 | 959 | | |
| GPY-SRO6-C08-281 | | | | | | | | | | 2755 | 1331 | 2245 | 3148 | 1575 | 2806 | 3541 | 1819 | 3367 | 3367 | 1113 | 1179 | | |
| GPY-SRO3-C1-281 | 2496 | 1315 | 2517 | 2957 | 1602 | 3175 | 3418 | 1888 | 3833 | 3879 | 2174 | 4490 | | | | | | | 2086 | 689 | 730 | | |
| GPY-SRO4-C1-281 | 2306 | 1135 | 1973 | 2766 | 1422 | 2630 | 3227 | 1708 | 3288 | 3688 | 1994 | 3946 | 4149 | 2281 | 4603 | 4610 | 2567 | 5261 | 2630 | 869 | 921 | | |
| GPY-SRO5-C1-281 | | | | 2507 | 1177 | 1890 | 2968 | 1463 | 2548 | 3429 | 1750 | 3205 | 3890 | 2036 | 3863 | 4351 | 2322 | 4520 | 3371 | 1114 | 1180 | | |
| GPY-SRO6-C1-281 | | | | | | | | | | 3129 | 1467 | 2348 | 3590 | 1753 | 3006 | 4051 | 2039 | 3663 | 4228 | 1397 | 1480 | | |
| GPY-SRO3-C1-321 | 3314 | 1762 | 3411 | 3919 | 2138 | 4275 | 4524 | 2513 | 5138 | 5128 | 2889 | 6001 | | | | | | | 2630 | 869 | 921 | | |
| GPY-SRO4-C1-321 | 3055 | 1517 | 2671 | 3659 | 1893 | 3534 | 4264 | 2269 | 4397 | 4869 | 2645 | 5260 | 5474 | 3020 | 6123 | 6079 | 3396 | 6987 | 3371 | 1114 | 1180 | | |
| GPY-SRO5-C1-321 | | | | 3359 | 1610 | 2677 | 3964 | 1986 | 3540 | 4569 | 2361 | 4403 | 5174 | 2737 | 5266 | 5779 | 3113 | 6130 | 4228 | 1397 | 1480 | | |
| GPY-SRO6-C1-321 | | | | | | | | | | 4194 | 2007 | 3331 | 4799 | 2383 | 4194 | 5404 | 2759 | 5058 | 5300 | 1751 | 1855 | | |
| GPY-SRO3-C1-351 | 3899 | 2042 | 3876 | 4624 | 2492 | 4911 | 5350 | 2943 | 5946 | 6075 | 3394 | 6981 | | | | | | | 3371 | 1114 | 1180 | | |
| GPY-SRO4-C1-351 | 3599 | 1758 | 3019 | 4324 | 2209 | 4054 | 5050 | 2660 | 5089 | 5776 | 3111 | 6124 | 6501 | 3562 | 7160 | 7227 | 4013 | 8195 | 4228 | 1397 | 1480 | | |
| GPY-SRO5-C1-351 | | | | 3949 | 1855 | 2982 | 4675 | 2306 | 4017 | 5400 | 2757 | 5052 | 6126 | 3207 | 6088 | 6851 | 3658 | 7123 | 5300 | 1751 | 1855 | | |
| GPY-SRO6-C1-351 | | | | | | | | | | 4981 | 2361 | 3855 | 5707 | 2812 | 4891 | 6432 | 3263 | 5926 | 6497 | 2147 | 2274 | | |
| GPY-SRO3-C1-401 | 5174 | 2737 | 5266 | 6125 | 3328 | 6623 | 7075 | 3919 | 7979 | | | | | | | | | | 4228 | 1397 | 1480 | | |
| GPY-SRO4-C1-401 | 4799 | 2383 | 4194 | 5750 | 2974 | 5551 | 6700 | 3564 | 6907 | 7651 | 4155 | 8263 | | | | | | | 5300 | 1751 | 1855 | | |
| GPY-SRO5-C1-401 | | | | 5331 | 2578 | 4354 | 6281 | 3169 | 5710 | 7232 | 3759 | 7066 | 8182 | 4350 | 8423 | | | | 6497 | 2147 | 2274 | | |
| GPY-SRO6-C1-401 | | | | | | | | | | 6657 | 3217 | 5425 | 7608 | 3808 | 6782 | 8559 | 4398 | 8138 | 8138 | 2689 | 2848 | | |
| GPY-SRO4-C2-401 | 5674 | 2794 | 4855 | 6808 | 3499 | 6473 | 7942 | 4204 | 8092 | 9076 | 4908 | 9710 | 10211 | 5613 | 11329 | 11345 | 6318 | 12947 | 6473 | 2139 | 2266 | | |
| GPY-SRO5-C2-401 | | | | 6219 | 2943 | 4791 | 7353 | 3648 | 6409 | 8487 | 4352 | 8028 | 9622 | 5057 | 9646 | 10756 | 5762 | 11264 | 8156 | 2695 | 2855 | | |
| GPY-SRO6-C2-401 | | | | | | | | | | 7842 | 3743 | 6184 | 8976 | 4448 | 7802 | 10110 | 5153 | 9420 | 10000 | 3304 | 3500 | | |
| GPY-SRO3-C2-451 | 7816 | 4125 | 7912 | 9256 | 5020 | 9967 | 10697 | 5915 | 12022 | 12137 | 6810 | 14077 | | | | | | | 6473 | 2139 | 2266 | | |
| GPY-SRO4-C2-451 | 7227 | 3569 | 6229 | 8667 | 4464 | 8285 | 10108 | 5359 | 10340 | 11548 | 6254 | 12395 | 12988 | 7149 | 14450 | 14429 | 8044 | 16505 | 8156 | 2695 | 2855 | | |
| GPY-SRO5-C2-451 | | | | 8022 | 3855 | 6441 | 9462 | 4750 | 8496 | 10903 | 5645 | 10551 | 12343 | 6540 | 12606 | 13783 | 7435 | 14661 | 10000 | 3304 | 3500 | | |
| GPY-SRO6-C2-451 | | | | | | | | | | 10087 | 4875 | 8220 | 11527 | 5770 | 10275 | 12967 | 6665 | 12330 | 12330 | 4074 | 4316 | | |



| Model | Air to Spring (3.5Bar) | | | Air to Spring (4Bar) | | | Air to Spring (4.5Bar) | | | Air to Spring (5Bar) | | | Air to Spring (5.5Bar) | | | Air to Spring (6Bar) | | | Spring Return | | |
|------------------|------------------------|-------|-------|----------------------|-------|--------|------------------------|-------|--------|----------------------|-------|--------|------------------------|-------|--------|----------------------|-------|--------|---------------|-------|-------|
| | Start | Run | End | Start | Run | End | Start | Run | End | Start | Run | End | Start | Run | End | Start | Run | End | Start | Run | End |
| GPY-SRO4-C3-451 | 8598 | 4234 | 7358 | 10317 | 5302 | 9810 | 12036 | 6370 | 12263 | 13755 | 7438 | 14715 | 15473 | 8506 | 17168 | 17192 | 9574 | 19620 | 9810 | 3242 | 3434 |
| GPY-SRO5-C3-451 | | | | 9459 | 4491 | 7358 | 11177 | 5559 | 9810 | 12896 | 6627 | 12263 | 14615 | 7695 | 14715 | 16334 | 8763 | 17168 | 12263 | 4052 | 4292 |
| GPY-SRO6-C3-451 | | | | | | | | | | 11871 | 5660 | 9334 | 13590 | 6728 | 11787 | 15309 | 7796 | 14239 | 15191 | 5020 | 5317 |
| GPY-SRO3-C3-501 | 11471 | 6019 | 11457 | 13601 | 7342 | 14496 | 15730 | 8665 | 17534 | 17859 | 9988 | 20572 | | | | | | | 9810 | 3242 | 3434 |
| GPY-SRO4-C3-501 | 10613 | 5209 | 9005 | 12742 | 6532 | 12043 | 14872 | 7855 | 15081 | 17001 | 9178 | 18120 | 19130 | 10501 | 21158 | 21259 | 11824 | 24196 | 12263 | 4052 | 4292 |
| GPY-SRO5-C3-501 | | | | 11717 | 5564 | 9115 | 13847 | 6887 | 12153 | 15976 | 8210 | 15191 | 18105 | 9533 | 18229 | 20234 | 10856 | 21267 | 15191 | 5020 | 5317 |
| GPY-SRO6-C3-501 | | | | | | | | | | 14885 | 7180 | 12075 | 17015 | 8503 | 15113 | 19144 | 9826 | 18152 | 18307 | 6050 | 6407 |
| GPY-SRO3-C3-561 | 14460 | 7599 | 14494 | 17139 | 9264 | 18317 | 19818 | 10928 | 22139 | 22497 | 12593 | 25962 | | | | | | | 12263 | 4052 | 4292 |
| GPY-SRO4-C3-561 | 13435 | 6632 | 11566 | 16114 | 8296 | 15388 | 18793 | 9961 | 19211 | 21472 | 11625 | 23033 | 24151 | 13290 | 26856 | 26830 | 14954 | 30678 | 15191 | 5020 | 5317 |
| GPY-SRO5-C3-561 | | | | 15024 | 7266 | 12272 | 17702 | 8931 | 16095 | 20381 | 10595 | 19917 | 23060 | 12260 | 23740 | 25739 | 13924 | 27562 | 18307 | 6050 | 6407 |
| GPY-SRO6-C3-561 | | | | | | | | | | 19098 | 9384 | 16251 | 21777 | 11048 | 20074 | 24456 | 12713 | 23896 | 21973 | 7261 | 7690 |
| GPY-SRO3-C3-631 | 18474 | 9762 | 18756 | 21873 | 11874 | 23605 | 25272 | 13986 | 28455 | 28670 | 16098 | 33304 | | | | | | | 15191 | 5020 | 5317 |
| GPY-SRO4-C3-631 | 16101 | 7521 | 11974 | 19499 | 9633 | 16824 | 22898 | 11745 | 21673 | 26297 | 13857 | 26523 | 29695 | 15968 | 31372 | | | | 21973 | 7261 | 7690 |
| GP-SRO5-C3-631 | | | | 18319 | 8518 | 13450 | 21717 | 10630 | 18300 | 25116 | 12742 | 23149 | 28515 | 14854 | 27999 | 31914 | 16966 | 32849 | 25346 | 8376 | 8871 |
| GPY-SRO6-C3-631 | | | | | | | | | | 23771 | 11471 | 19305 | 27169 | 13583 | 24154 | 30568 | 15695 | 29004 | 29191 | 9646 | 10217 |
| GPY-SRO4-C4-631 | 19884 | 9553 | 15932 | 23968 | 12090 | 21759 | 28051 | 14627 | 27585 | 32134 | 17164 | 33411 | 36217 | 19702 | 39237 | 40300 | 22239 | 45063 | 24851 | 8206 | 8698 |
| GPY-SRO5-C4-631 | | | | 22209 | 10431 | 16734 | 26292 | 12968 | 22560 | 30375 | 15505 | 28386 | 34458 | 18042 | 34212 | 38542 | 20579 | 40038 | 29876 | 9866 | 10457 |
| GPY-SRO6-C4-631 | | | | | | | | | | 28223 | 13474 | 22235 | 32306 | 16011 | 28061 | 36389 | 18548 | 33888 | 36027 | 11897 | 12609 |
| GPY-SRO3-C4-701 | 26650 | 13757 | 25586 | 31700 | 16895 | 32792 | 36750 | 20032 | 39997 | 41800 | 23170 | 47202 | | | | | | | 24851 | 8206 | 8698 |
| GPY-SRO4-C4-701 | 24892 | 12098 | 20561 | 29941 | 15235 | 27767 | 34991 | 18373 | 34972 | 40041 | 21511 | 42177 | 45091 | 24648 | 49383 | 50140 | 27786 | 56588 | 29876 | 9866 | 10457 |
| GPY-SRO5-C4-701 | | | | 27789 | 13204 | 21616 | 32838 | 16342 | 28821 | 37888 | 19480 | 36027 | 42938 | 22617 | 43232 | 47988 | 25755 | 50437 | 36027 | 11897 | 12609 |
| GPY-SRO6-C4-701 | | | | | | | | | | 34683 | 16456 | 26869 | 39733 | 19593 | 34075 | 44783 | 22731 | 41280 | 45184 | 14921 | 15814 |
| GPY-SRO3-C4-801 | 35793 | 18871 | 36116 | 42400 | 22976 | 45543 | 49007 | 27082 | 54970 | 55614 | 31187 | 64398 | | | | | | | 29876 | 9866 | 10457 |
| GPY-SRO4-C4-801 | 33640 | 16840 | 29965 | 40247 | 20945 | 39392 | 46854 | 25050 | 48820 | 53461 | 29156 | 58247 | 60068 | 33261 | 67674 | | | | 36027 | 11897 | 12609 |
| GPY-SRO5-C4-801 | | | | 37042 | 17921 | 30235 | 43649 | 22027 | 39662 | 50256 | 26132 | 49090 | 56863 | 30237 | 58517 | 63470 | 34342 | 67945 | 45184 | 14921 | 15814 |
| GPY-SRO6-C4-801 | | | | | | | | | | 46273 | 22374 | 37710 | 52880 | 26479 | 47137 | 59487 | 30584 | 56564 | 56564 | 18679 | 19798 |
| GPY-SRO4-C5-801 | 39656 | 19537 | 33935 | 47584 | 24463 | 45246 | 55511 | 29388 | 56558 | 63439 | 34314 | 67869 | 71366 | 39240 | 79181 | 79294 | 44165 | 90492 | 45246 | 14943 | 15836 |
| GPY-SRO5-C5-801 | | | | 43345 | 20463 | 33135 | 51272 | 25388 | 44446 | 59200 | 30314 | 55758 | 67127 | 35240 | 67069 | 75055 | 40166 | 78381 | 57357 | 18943 | 20075 |
| GPY-SRO6-C5-801 | | | | | | | | | | 54851 | 26211 | 43333 | 62779 | 31136 | 54645 | 70706 | 36062 | 65956 | 69782 | 23046 | 24424 |
| GPY-SRO3-C5-901 | 54510 | 28766 | 55129 | 64560 | 35011 | 69468 | 74609 | 41255 | 83808 | 84658 | 47499 | 98147 | | | | | | | 45246 | 14943 | 15836 |
| GPY-SRO4-C5-901 | 50271 | 24766 | 43018 | 60321 | 31011 | 57357 | 70370 | 37255 | 71696 | 80420 | 43499 | 86036 | 90469 | 49743 | 100375 | 100518 | 55987 | 114714 | 57357 | 18943 | 20075 |
| GPY-SRO5-C5-901 | | | | 55972 | 26907 | 44932 | 66021 | 33151 | 59272 | 76071 | 39396 | 73611 | 86120 | 45640 | 87950 | 96170 | 51884 | 102290 | 69782 | 23046 | 24424 |
| GPY-SRO6-C5-901 | | | | | | | | | | 70382 | 34028 | 57357 | 80432 | 40272 | 71696 | 90481 | 46516 | 86036 | 86036 | 28414 | 30113 |
| GPY-SRO4-C6-801 | 53257 | 26208 | 45573 | 63904 | 32823 | 60764 | 74550 | 39438 | 75955 | 85197 | 46054 | 91146 | 95843 | 52669 | 106337 | 106489 | 59284 | 121528 | 60764 | 20097 | 21267 |
| GPY-SRO5-C6-801 | | | | 58197 | 27431 | 44461 | 68844 | 34046 | 59652 | 79490 | 40661 | 74843 | 90137 | 47276 | 90034 | 100783 | 53891 | 105225 | 77068 | 25490 | 26974 |
| GPY-SRO6-C6-801 | | | | | | | | | | 72747 | 34289 | 55576 | 83393 | 40904 | 70767 | 94040 | 47519 | 85958 | 96335 | 31862 | 33717 |
| GPY-SRO3-C6-901 | 73253 | 38632 | 74104 | 86756 | 47022 | 93371 | 100259 | 55412 | 112638 | 113762 | 63802 | 131905 | | | | | | | 60764 | 20097 | 21267 |
| GPY-SRO4-C6-901 | 67547 | 33240 | 57801 | 81050 | 41630 | 77068 | 94553 | 50020 | 96335 | 108055 | 58410 | 115602 | 121558 | 66800 | 134869 | 135061 | 75190 | 154136 | 77068 | 25490 | 26974 |
| GPY-SRO5-C6-901 | | | | 74306 | 35258 | 57801 | 87809 | 43648 | 77068 | 101312 | 52038 | 96335 | 114815 | 60428 | 115602 | 128318 | 68818 | 134869 | 96335 | 31862 | 33717 |
| GPY-SRO6-C6-901 | | | | | | | | | | 93340 | 44504 | 73558 | 106843 | 52894 | 92825 | 120346 | 61284 | 112092 | 119112 | 39396 | 41689 |
| GPY-SRO3-C6-1001 | 89895 | 47126 | 89689 | 106590 | 57500 | 113511 | 123286 | 67873 | 137333 | 139981 | 78247 | 161156 | | | | | | | 77068 | 25490 | 26974 |
| GPY-SRO4-C6-1001 | 83151 | 40754 | 70422 | 99847 | 51127 | 94244 | 116542 | 61501 | 118066 | 133238 | 71875 | 141889 | 149933 | 82248 | 165711 | 166629 | 92622 | 189533 | 96335 | 31862 | 33717 |
| GPY-SRO5-C6-1001 | | | | 91875 | 43594 | 71467 | 108570 | 53968 | 95289 | 125266 | 64341 | 119112 | 141961 | 74715 | 142934 | 158657 | 85089 | 166756 | 119112 | 39396 | 41689 |
| GPY-SRO6-C6-1001 | | | | | | | | | | 116928 | 56462 | 95289 | 133623 | 66836 | 119112 | 150319 | 77210 | 142934 | 142934 | 47275 | 50027 |
| Model | Start | Run | End | Start | Run | End | Start | Run | End | Start | Run | End | Start | Run | End | Start | Run | End | Start | Run | End |
| | Air to Spring (3.5Bar) | | | Air to Spring (4Bar) | | | Air to Spring (4.5Bar) | | | Air to Spring (5Bar) | | | Air to Spring (5.5Bar) | | | Air to Spring (6Bar) | | | Spring Return | | |

The torque of the springs can be customized to your needs.

Sizing

During sizing, if we can know more about the torque characteristics of the valve, we can select and match the actuator more economically and reasonably.

SF – Safety Factor

BTO – Break Torque to Open

RTO – Run Torque to Open

ETO – End Torque to Open

BTC – Break Torque to Close

RTC – Run Torque To Close

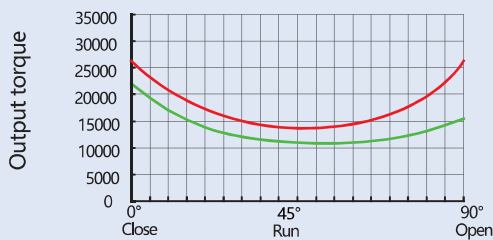
ETC – End Torque to Close

MAST – Maximum Allowable Torque

Valve type: Ball Valve

Air supply: 4bar

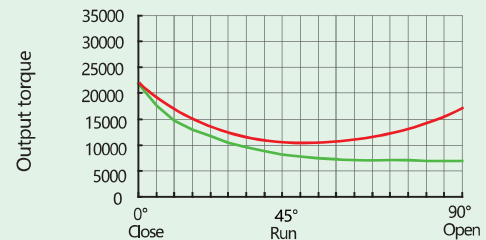
- Valve operating torque
- Actuator spring return torque
- Actuator air stroke torque



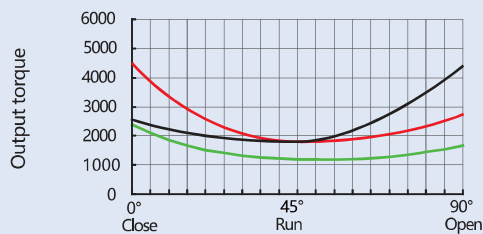
Sizing torque for ball valve: 22000Nm
 Failure Position: Last
 Sizing result: GPY-DA-B3-561

Valve type: Butterfly Valve

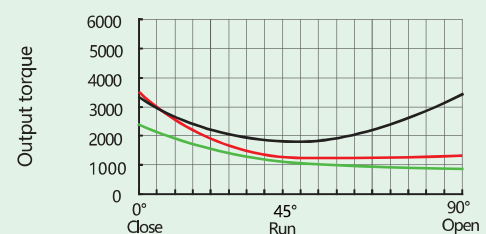
Air supply: 4bar



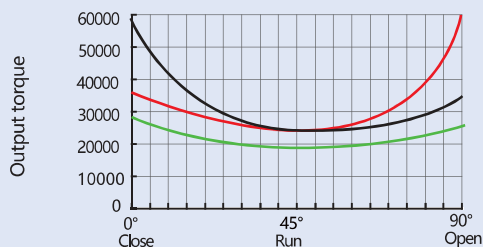
Sizing torque for butterfly valve: 22000Nm
 Failure Position: Last
 Sizing result: GPY-DA-C3-501



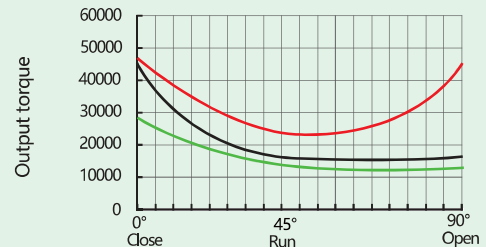
Sizing torque for ball valve: 2400Nm
 Failure Position: Close
 Sizing result: GPY-SRC4-B1-351



Sizing torque for butterfly valve: 2400Nm
 Failure Position: Close
 Sizing result: GPY-SRC4-C1-281



Sizing torque for ball valve: 29000Nm
 Failure Position: Open
 Sizing result: GPY-SRO4-B5-901

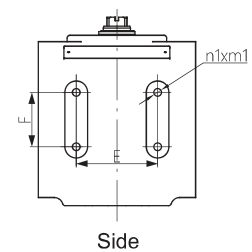
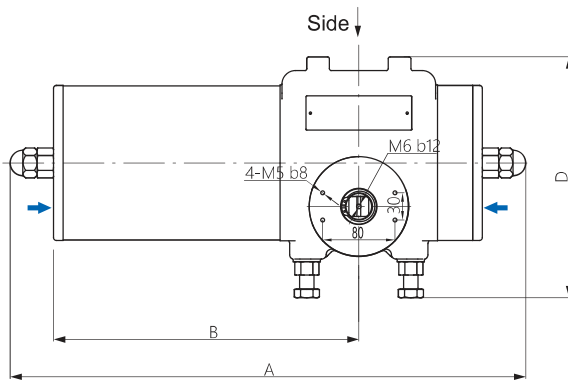
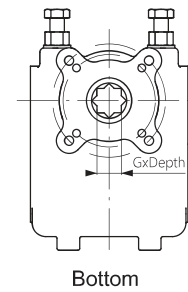
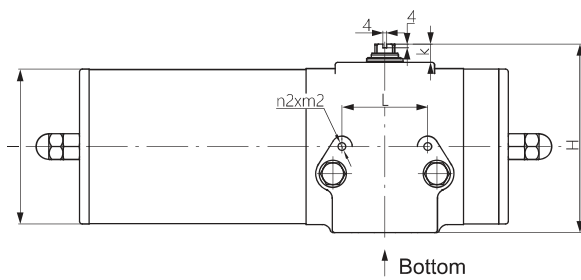


Sizing torque for butterfly valve: 29000Nm
 Failure Position: Open
 Sizing result: GPY-SRO4-C4-801

Dimensions of GPY-B03 ~ B05-DA & SR



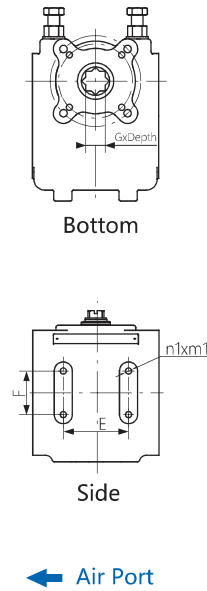
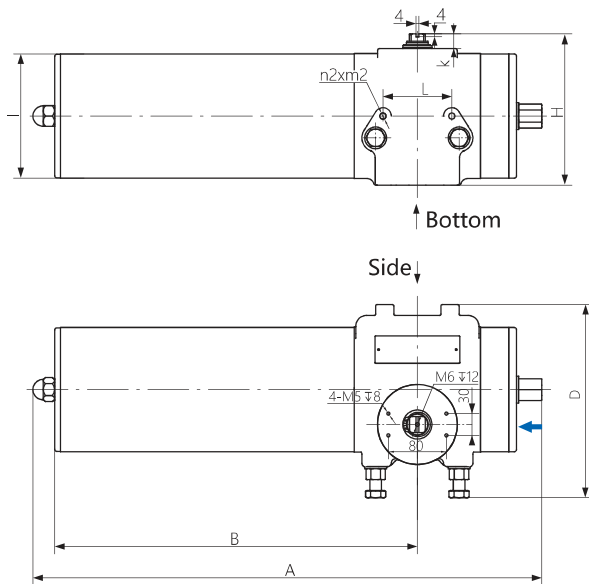
Dimensions of GPY-B03 ~ B05-DA



← Air Port

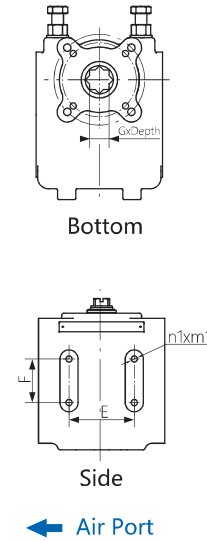
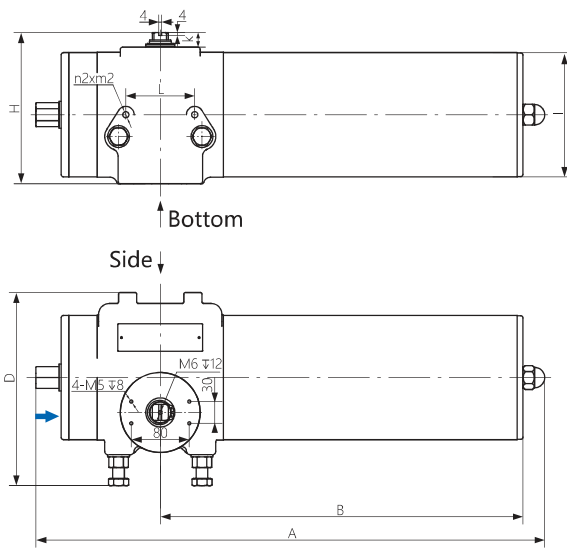
| Model | A | B | D | E | F | n1×m1 | G x Depth | L | n2×m2 | K | I | H | Mounting Flange ISO5211 | Air Port |
|----------------|-----|-----|-----|----|----|----------|-----------|----|----------|----|------|-----|----------------------------|----------|
| | mm | | | | | | | | | | | | | |
| GPY-DA-B03-105 | 418 | 245 | 185 | 50 | 50 | 4×M6x9 | 19x21 | 60 | 2×M8x12 | 20 | ∅114 | 140 | F05/F07/F10 | 1/4"NPT |
| GPY-DA-B04-125 | 523 | 309 | 233 | 90 | 50 | 4×M10x15 | 22x24 | 90 | 2×M10x15 | 20 | ∅136 | 170 | F10 | 1/4"NPT |
| GPY-DA-B05-160 | 575 | 337 | 266 | 90 | 60 | 4×M10x15 | 27x29 | 95 | 2×M10x15 | 20 | ∅171 | 208 | F10/F12 | 3/8"NPT |

Dimensions of GPY-B03 ~ B05-SR



Air Failure Close (FC)

FC, air failure close,
air to spring open,
spring return close.

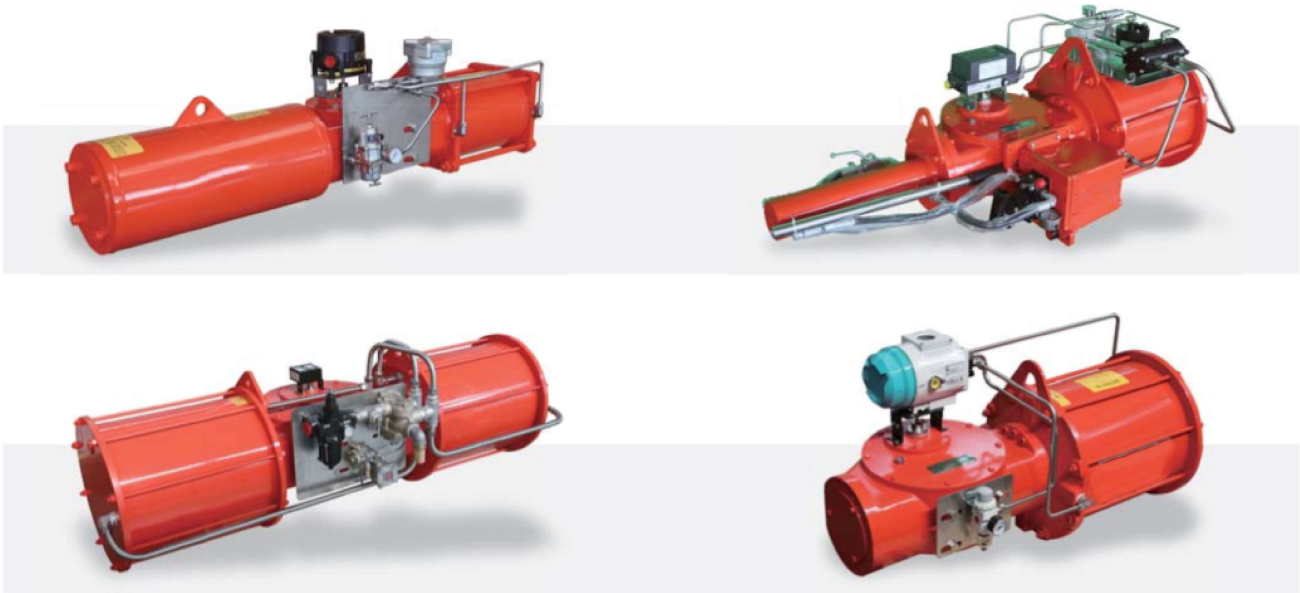


Air Failure Open (FO)

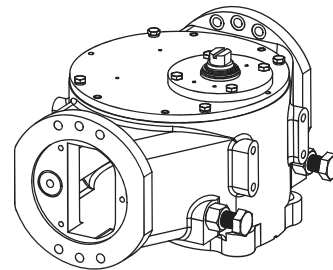
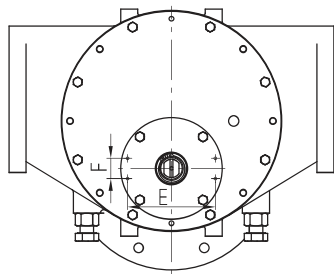
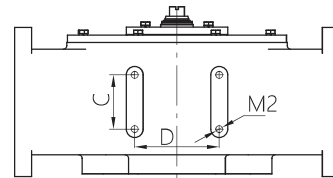
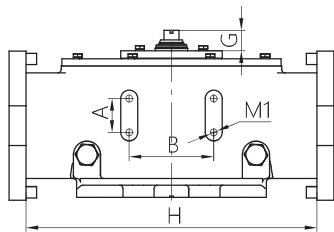
FO, air failure open,
air to spring close,
spring return open.

| Model | A | B | D | E | F | n1xm1 | G x Depth | L | n2xm2 | K | I | H | Mounting Flange ISO5211 | Air Port |
|-------------------|-----|-----|-----|----|----|----------|-----------|----|----------|----|------|-----|-------------------------|----------|
| | mm | | | | | | | | | | | | | |
| GPY-SRC/O-B03-105 | 523 | 375 | 185 | 50 | 50 | 4×M6x9 | 19x21 | 60 | 2×M8x12 | 20 | ∅114 | 140 | F05/F07/F10 | 1/4"NPT |
| GPY-SRC/O-B04-125 | 639 | 459 | 233 | 90 | 50 | 4×M10x15 | 22x24 | 90 | 2×M10x15 | 20 | ∅136 | 170 | F10 | 1/4"NPT |
| GPY-SRC/O-B05-160 | 752 | 550 | 266 | 90 | 60 | 4×M10x15 | 27x29 | 95 | 2×M10x15 | 20 | ∅171 | 208 | F10/F12 | 3/8"NPT |

Dimensions of GPY-B/C06 ~ B/C6-DA & SR

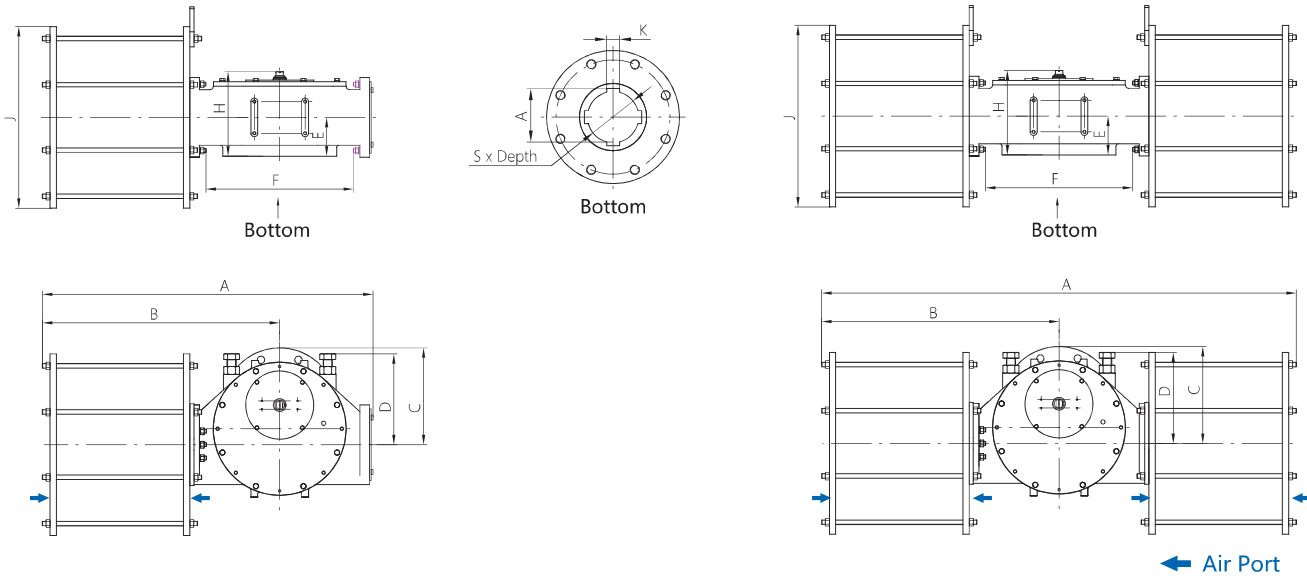


Central Body Dimension



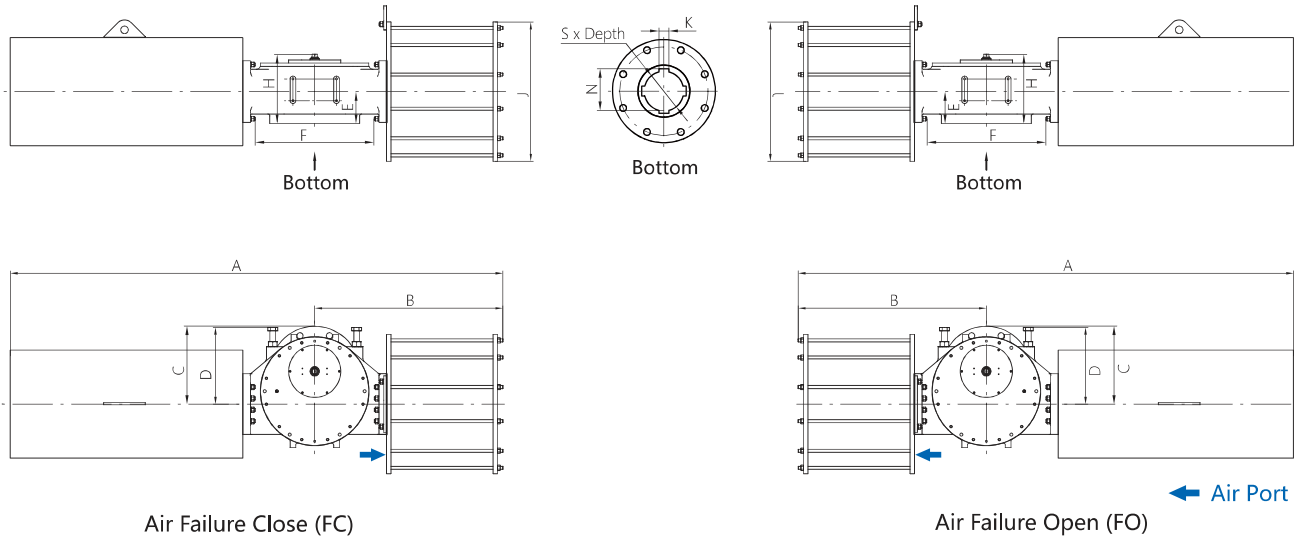
| Body No. | AxB | CxD | Screwed Hole M1 | Screwed Hole M2 | E | F | G | H |
|----------|---------|---------|-----------------|-----------------|-----|----|----|------|
| B06/C06 | 50x90 | 80x125 | 4-M12 depth 18 | 4-M12 depth 18 | 80 | 30 | 30 | 295 |
| B08/C08 | 50x125 | 80x125 | 4-M12 depth 18 | 4-M12 depth 18 | 80 | 30 | 30 | 376 |
| B 1 /C 1 | 50x125 | 80x125 | 4-M12 depth 18 | 4-M12 depth 18 | 130 | 30 | 30 | 430 |
| B 2 /C 2 | 80x125 | 95x155 | 4-M12 depth 18 | 4-M12 depth 18 | 130 | 30 | 30 | 484 |
| B 3 /C 3 | 80x180 | 115x185 | 4-M12 depth 18 | 4-M12 depth 18 | 130 | 30 | 30 | 584 |
| B 4 /C 4 | 80x220 | 115x230 | 4-M12 depth 18 | 4-M12 depth 18 | 130 | 30 | 30 | 680 |
| B 5 /C 5 | 80x220 | 140x310 | 4-M12 depth 18 | 4-M12 depth 18 | 130 | 30 | 30 | 806 |
| B 6 /C 6 | 100x220 | 180x400 | 4-M12 depth 18 | 4-M12 depth 18 | 130 | 30 | 30 | 1060 |

Dimension of GPY-B(C) Series Double Acting Actuator



| Model | A | B | C | D | E | F | H | J | S x Depth | N | K | Mounting Flange ISO5211 | Air Port |
|------------------|------|------|-----|-----|-----|-----|-------|-------|-----------|-------|----|-------------------------|-----------|
| | mm | | | | | | | | | | | | |
| GPY-DA-B/C06-201 | 647 | 475 | 149 | 175 | 86 | 255 | 214 | □225 | Ø48*65 | 51.8 | 14 | F14 | 3/8"NPT |
| GPY-DA-B/C08-221 | 803 | 585 | 165 | 200 | 103 | 340 | 238 | □250 | Ø60*100 | 64.4 | 18 | F16 | 1/2"NPT |
| GPY-DA-B08-251 | 803 | 585 | 165 | 200 | 103 | 340 | 238 | □280 | Ø60*100 | 64.4 | 18 | F16 | 1/2"NPT |
| GPY-DA-B/C1-281 | 907 | 657 | 250 | 225 | 106 | 395 | 246.5 | □310 | Ø72*120 | 76.9 | 20 | F25/F16 | 1/2"NPT |
| GPY-DA-B/C1-321 | 907 | 657 | 250 | 225 | 106 | 395 | 246.5 | Ø395 | Ø72*120 | 76.9 | 20 | F25/F16 | 3/4"NPT |
| GPY-DA-B1-351 | 907 | 657 | 250 | 225 | 106 | 395 | 246.5 | Ø430 | Ø72*120 | 76.9 | 20 | F25/F16 | 3/4"NPT |
| GPY-DA-B/C2-351 | 1017 | 737 | 295 | 275 | 118 | 420 | 269 | Ø430 | Ø98*150 | 104.4 | 28 | F30/F25 | 3/4"NPT |
| GPY-DA-B/C2-401 | 1003 | 723 | 295 | 275 | 118 | 420 | 269 | Ø485 | Ø98*150 | 104.4 | 28 | F30/F25 | 1"NPT |
| GPY-DA-B/C2-451 | 1020 | 750 | 295 | 275 | 118 | 420 | 269 | Ø550 | Ø98*150 | 104.4 | 28 | F30/F25 | 1"NPT |
| GPY-DA-B/C3-451 | 1199 | 865 | 352 | 330 | 141 | 530 | 315 | Ø550 | Ø160*200 | 169.4 | 40 | F35/F30 | 1"NPT |
| GPY-DA-B/C3-501 | 1199 | 865 | 352 | 330 | 141 | 530 | 315 | Ø600 | Ø160*200 | 169.4 | 40 | F35/F30 | 1-1/4"NPT |
| GPY-DA-B/C3-561 | 1199 | 865 | 352 | 330 | 141 | 530 | 315 | Ø660 | Ø160*200 | 169.4 | 40 | F35/F30 | 1-1/4"NPT |
| GPY-DA-B3-601 | 1199 | 865 | 352 | 330 | 141 | 530 | 315 | Ø705 | Ø160*200 | 169.4 | 40 | F35/F30 | 1-1/4"NPT |
| GPY-DA-C4-561 | 1390 | 1000 | 410 | 405 | 168 | 620 | 365 | Ø660 | Ø180*220 | 190.4 | 45 | F40 | 1-1/4"NPT |
| GPY-DA-B/C4-601 | 1390 | 1000 | 410 | 405 | 168 | 620 | 365 | Ø705 | Ø180*220 | 190.4 | 45 | F40 | 1-1/4"NPT |
| GPY-DA-B/C4-631 | 1390 | 1000 | 410 | 405 | 168 | 620 | 365 | Ø735 | Ø180*220 | 190.4 | 45 | F40 | 1-1/2"NPT |
| GPY-DA-B/C4-701 | 1398 | 1008 | 410 | 405 | 168 | 620 | 365 | Ø810 | Ø180*220 | 190.4 | 45 | F40 | 1-1/2"NPT |
| GPY-DA-B4-801 | 1398 | 1008 | 410 | 405 | 168 | 620 | 365 | Ø910 | Ø180*220 | 190.4 | 45 | F40 | 1-1/2"NPT |
| GPY-DA-B/C4-502 | 2000 | 1000 | 410 | 405 | 168 | 620 | 365 | Ø600 | Ø180*220 | 190.4 | 45 | F40 | 1-1/4"NPT |
| GPY-DA-B4-562 | 2000 | 1000 | 410 | 405 | 168 | 620 | 365 | Ø660 | Ø180*220 | 190.4 | 45 | F40 | 1-1/4"NPT |
| GPY-DA-B/C5-701 | 1623 | 1165 | 488 | 500 | 195 | 730 | 420 | Ø810 | Ø220*250 | 231.4 | 50 | F48/F40 | 1-1/2"NPT |
| GPY-DA-B/C5-801 | 1623 | 1165 | 488 | 500 | 195 | 730 | 420 | Ø910 | Ø220*250 | 231.4 | 50 | F48/F40 | 1-1/2"NPT |
| GPY-DA-B/C5-901 | 1623 | 1165 | 488 | 500 | 195 | 730 | 420 | Ø1010 | Ø220*250 | 231.4 | 50 | F48/F40 | 2"NPT |
| GPY-DA-B/C5-562 | 2300 | 1150 | 488 | 500 | 195 | 730 | 420 | Ø660 | Ø220*250 | 231.4 | 50 | F48/F40 | 1-1/4"NPT |
| GPY-DA-B/C5-602 | 2300 | 1150 | 488 | 500 | 195 | 730 | 420 | Ø705 | Ø220*250 | 231.4 | 50 | F48/F40 | 1-1/4"NPT |
| GPY-DA-B/C5-632 | 2300 | 1150 | 488 | 500 | 195 | 730 | 420 | Ø735 | Ø220*250 | 231.4 | 50 | F48/F40 | 1-1/2"NPT |
| GPY-DA-B5-702 | 2330 | 1165 | 488 | 500 | 195 | 730 | 420 | Ø810 | Ø220*250 | 231.4 | 50 | F48/F40 | 1-1/2"NPT |
| GPY-DA-C6-801 | 2068 | 1488 | 623 | 653 | 225 | 980 | 500 | Ø910 | Ø280*315 | 292.4 | 63 | F60/F48 | 1-1/2"NPT |
| GPY-DA-B/C6-901 | 2068 | 1488 | 623 | 653 | 225 | 980 | 500 | Ø1010 | Ø280*315 | 292.4 | 63 | F60/F48 | 2"NPT |
| GPY-DA-B/C6-1001 | 2068 | 1488 | 623 | 653 | 225 | 980 | 500 | Ø1115 | Ø280*315 | 292.4 | 63 | F60/F48 | 2"NPT |
| GPY-DA-B/C6-702 | 2976 | 1488 | 623 | 653 | 225 | 980 | 500 | Ø810 | Ø280*315 | 292.4 | 63 | F60/F48 | 1-1/2"NPT |
| GPY-DA-B/C6-802 | 2976 | 1488 | 623 | 653 | 225 | 980 | 500 | Ø910 | Ø280*315 | 292.4 | 63 | F60/F48 | 1-1/2"NPT |
| GPY-DA-B6-902 | 2976 | 1488 | 623 | 653 | 225 | 980 | 500 | Ø1010 | Ø280*315 | 292.4 | 63 | F60/F48 | 2"NPT |

Dimension of GPY-B FC(O) Series Spring Return Actuator



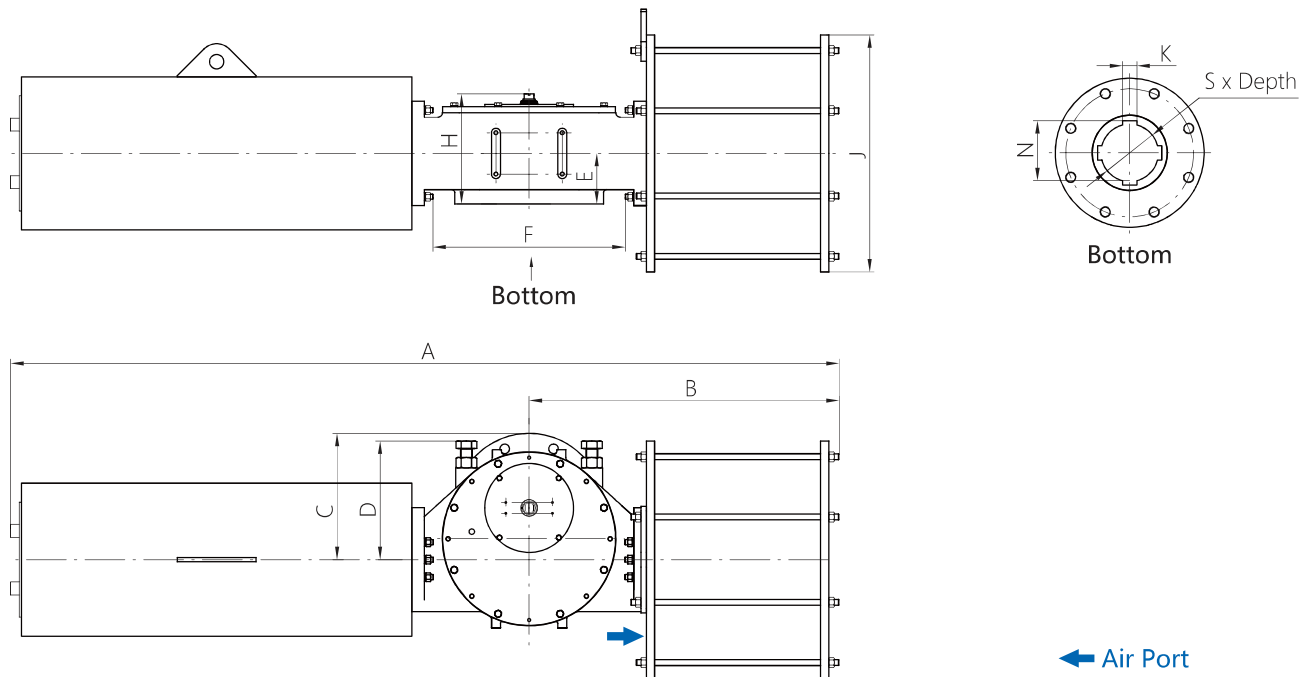
| Model | A | B | C | D | E | F | H | J | S x Depth | N | K | Mounting Flange ISO5211 | Air Port |
|---------------------|------|-----|-----|-----|-----|-----|-------|------|-----------|------|----|-------------------------|----------|
| | mm | | | | | | | | | | | | |
| GPY-SRC4/O4-B06-201 | 1136 | 475 | 149 | 175 | 86 | 255 | 214 | □225 | Ø48x65 | 51.8 | 14 | F14 | 3/8"NPT |
| GPY-SRC5/O5-B06-201 | 1136 | 475 | 149 | 175 | 86 | 255 | 214 | □225 | Ø48x65 | 51.8 | 14 | F14 | 3/8"NPT |
| GPY-SRC6/O6-B06-201 | 1136 | 475 | 149 | 175 | 86 | 255 | 214 | □225 | Ø48x65 | 51.8 | 14 | F14 | 3/8"NPT |
| GPY-SRC4/O4-B06-221 | 1149 | 488 | 149 | 175 | 86 | 255 | 214 | □250 | Ø48x65 | 51.8 | 14 | F14 | 1/2"NPT |
| GPY-SRC5/O5-B06-221 | 1149 | 488 | 149 | 175 | 86 | 255 | 214 | □250 | Ø48x65 | 51.8 | 14 | F14 | 1/2"NPT |
| GPY-SRC6/O6-B06-221 | 1149 | 488 | 149 | 175 | 86 | 255 | 214 | □250 | Ø48x65 | 51.8 | 14 | F14 | 1/2"NPT |
| GPY-SRC4/O4-B08-221 | 1390 | 585 | 165 | 200 | 103 | 340 | 238 | □250 | Ø60x100 | 64.4 | 18 | F16 | 1/2"NPT |
| GPY-SRC5/O5-B08-221 | 1390 | 585 | 165 | 200 | 103 | 340 | 238 | □250 | Ø60x100 | 64.4 | 18 | F16 | 1/2"NPT |
| GPY-SRC6/O6-B08-221 | 1420 | 585 | 165 | 200 | 103 | 340 | 238 | □250 | Ø60x100 | 64.4 | 18 | F16 | 1/2"NPT |
| GPY-SRC4/O4-B08-251 | 1390 | 585 | 165 | 200 | 103 | 340 | 238 | □280 | Ø60x100 | 64.4 | 18 | F16 | 1/2"NPT |
| GPY-SRC5/O5-B08-251 | 1420 | 585 | 165 | 200 | 103 | 340 | 238 | □280 | Ø60x100 | 64.4 | 18 | F16 | 1/2"NPT |
| GPY-SRC6/O6-B08-251 | 1450 | 585 | 165 | 200 | 103 | 340 | 238 | □280 | Ø60x100 | 64.4 | 18 | F16 | 1/2"NPT |
| GPY-SRC4/O4-B08-281 | 1420 | 585 | 165 | 200 | 103 | 340 | 238 | □310 | Ø60x100 | 64.4 | 18 | F16 | 1/2"NPT |
| GPY-SRC5/O5-B08-281 | 1450 | 585 | 165 | 200 | 103 | 340 | 238 | □310 | Ø60x100 | 64.4 | 18 | F16 | 1/2"NPT |
| GPY-SRC6/O6-B08-281 | 1450 | 585 | 165 | 200 | 103 | 340 | 238 | □310 | Ø60x100 | 64.4 | 18 | F16 | 1/2"NPT |
| GPY-SRC4/O4-B1-281 | 1596 | 657 | 250 | 225 | 106 | 395 | 246.5 | □310 | Ø72x120 | 76.9 | 20 | F25/F16 | 1/2"NPT |
| GPY-SRC5/O5-B1-281 | 1612 | 657 | 250 | 225 | 106 | 395 | 246.5 | □310 | Ø72x120 | 76.9 | 20 | F25/F16 | 1/2"NPT |
| GPY-SRC6/O6-B1-281 | 1612 | 657 | 250 | 225 | 106 | 395 | 246.5 | □310 | Ø72x120 | 76.9 | 20 | F25/F16 | 1/2"NPT |
| GPY-SRC4/O4-B1-321 | 1612 | 657 | 250 | 225 | 106 | 395 | 246.5 | Ø395 | Ø72x120 | 76.9 | 20 | F25/F16 | 3/4"NPT |
| GPY-SRC5/O5-B1-321 | 1612 | 657 | 250 | 225 | 106 | 395 | 246.5 | Ø395 | Ø72x120 | 76.9 | 20 | F25/F16 | 3/4"NPT |
| GPY-SRC6/O6-B1-321 | 1642 | 657 | 250 | 225 | 106 | 395 | 246.5 | Ø395 | Ø72x120 | 76.9 | 20 | F25/F16 | 3/4"NPT |
| GPY-SRC4/O4-B1-351 | 1612 | 657 | 250 | 225 | 106 | 395 | 246.5 | Ø430 | Ø72x120 | 76.9 | 20 | F25/F16 | 3/4"NPT |
| GPY-SRC5/O5-B1-351 | 1642 | 657 | 250 | 225 | 106 | 395 | 246.5 | Ø430 | Ø72x120 | 76.9 | 20 | F25/F16 | 3/4"NPT |
| GPY-SRC6/O6-B1-351 | 1696 | 657 | 250 | 225 | 106 | 395 | 246.5 | Ø430 | Ø72x120 | 76.9 | 20 | F25/F16 | 3/4"NPT |



Dimension of GPY-B FC(O) Series Spring Return Actuator

| Model | A | B | C | D | E | F | H | J | S x Depth | N | K | Mounting Flange ISO5211 | Air Port |
|---------------------|------|------|-----|-----|-----|-----|-------|-------|-----------|-------|----|-------------------------|-----------|
| | mm | | | | | | | | | | | | |
| GPY-SRC4/O4-B1-401 | 1624 | 639 | 250 | 225 | 106 | 395 | 246.5 | Ø485 | Ø72x120 | 76.9 | 20 | F25/F16 | 1"NPT |
| GPY-SRC5/O5-B1-401 | 1678 | 639 | 250 | 225 | 106 | 395 | 246.5 | Ø485 | Ø72x120 | 76.9 | 20 | F25/F16 | 1"NPT |
| GPY-SRC6/O6-B1-401 | 1678 | 639 | 250 | 225 | 106 | 395 | 246.5 | Ø485 | Ø72x120 | 76.9 | 20 | F25/F16 | 1"NPT |
| GPY-SRC4/O4-B2-401 | 1841 | 723 | 295 | 275 | 118 | 420 | 269 | Ø485 | Ø98*150 | 104.4 | 28 | F30/F25 | 1"NPT |
| GPY-SRC5/O5-B2-401 | 1864 | 723 | 295 | 275 | 118 | 420 | 269 | Ø485 | Ø98*150 | 104.4 | 28 | F30/F25 | 1"NPT |
| GPY-SRC6/O6-B2-401 | 1911 | 723 | 295 | 275 | 118 | 420 | 269 | Ø485 | Ø98*150 | 104.4 | 28 | F30/F25 | 1"NPT |
| GPY-SRC4/O4-B2-451 | 1881 | 750 | 295 | 275 | 118 | 420 | 269 | Ø550 | Ø98*150 | 104.4 | 28 | F30/F25 | 1"NPT |
| GPY-SRC5/O5-B2-451 | 1928 | 750 | 295 | 275 | 118 | 420 | 269 | Ø550 | Ø98*150 | 104.4 | 28 | F30/F25 | 1"NPT |
| GPY-SRC6/O6-B2-451 | 1958 | 750 | 295 | 275 | 118 | 420 | 269 | Ø550 | Ø98*150 | 104.4 | 28 | F30/F25 | 1"NPT |
| GPY-SRC4/O4-B3-451 | 2198 | 865 | 352 | 330 | 141 | 530 | 315 | Ø550 | Ø160x200 | 169.4 | 40 | F35/F30 | 1"NPT |
| GPY-SRC5/O5-B3-451 | 2248 | 865 | 352 | 330 | 141 | 530 | 315 | Ø550 | Ø160x200 | 169.4 | 40 | F35/F30 | 1"NPT |
| GPY-SRC6/O6-B3-451 | 2278 | 865 | 352 | 330 | 141 | 530 | 315 | Ø550 | Ø160x200 | 169.4 | 40 | F35/F30 | 1"NPT |
| GPY-SRC4/O4-B3-501 | 2248 | 865 | 352 | 330 | 141 | 530 | 315 | Ø600 | Ø160x200 | 169.4 | 40 | F35/F30 | 1-1/4"NPT |
| GPY-SRC5/O5-B3-501 | 2278 | 865 | 352 | 330 | 141 | 530 | 315 | Ø600 | Ø160x200 | 169.4 | 40 | F35/F30 | 1-1/4"NPT |
| GPY-SRC6/O6-B3-501 | 2328 | 865 | 352 | 330 | 141 | 530 | 315 | Ø600 | Ø160x200 | 169.4 | 40 | F35/F30 | 1-1/4"NPT |
| GPY-SRC4/O4-B3-561 | 2278 | 865 | 352 | 330 | 141 | 530 | 315 | Ø660 | Ø160x200 | 169.4 | 40 | F35/F30 | 1-1/4"NPT |
| GPY-SRC5/O5-B3-561 | 2328 | 865 | 352 | 330 | 141 | 530 | 315 | Ø660 | Ø160x200 | 169.4 | 40 | F35/F30 | 1-1/4"NPT |
| GPY-SRC6/O6-B3-561 | 2278 | 865 | 352 | 330 | 141 | 530 | 315 | Ø660 | Ø160x200 | 169.4 | 40 | F35/F30 | 1-1/4"NPT |
| GPY-SRC4/O4-B3-631 | 2333 | 865 | 352 | 330 | 141 | 530 | 315 | Ø735 | Ø160x200 | 169.4 | 40 | F35/F30 | 1-1/2"NPT |
| GPY-SRC5/O5-B3-631 | 2283 | 865 | 352 | 330 | 141 | 530 | 315 | Ø735 | Ø160x200 | 169.4 | 40 | F35/F30 | 1-1/2"NPT |
| GPY-SRC6/O6-B3-631 | 2318 | 865 | 352 | 330 | 141 | 530 | 315 | Ø735 | Ø160x200 | 169.4 | 40 | F35/F30 | 1-1/2"NPT |
| GPY-SRC4/O4-B4-631 | 2571 | 1000 | 410 | 405 | 168 | 620 | 365 | Ø735 | Ø180x220 | 190.4 | 45 | F40 | 1-1/2"NPT |
| GPY-SRC5/O5-B4-631 | 2571 | 1000 | 410 | 405 | 168 | 620 | 365 | Ø735 | Ø180x220 | 190.4 | 45 | F40 | 1-1/2"NPT |
| GPY-SRC6/O6-B4-631 | 2571 | 1000 | 410 | 405 | 168 | 620 | 365 | Ø735 | Ø180x220 | 190.4 | 45 | F40 | 1-1/2"NPT |
| GPY-SRC4/O4-B4-701 | 2579 | 1008 | 410 | 405 | 168 | 620 | 365 | Ø810 | Ø180x220 | 190.4 | 45 | F40 | 1-1/2"NPT |
| GPY-SRC5/O5-B4-701 | 2579 | 1008 | 410 | 405 | 168 | 620 | 365 | Ø810 | Ø180x220 | 190.4 | 45 | F40 | 1-1/2"NPT |
| GPY-SRC6/O6-B4-701 | 2863 | 1008 | 410 | 405 | 168 | 620 | 365 | Ø810 | Ø180x220 | 190.4 | 45 | F40 | 1-1/2"NPT |
| GPY-SRC4/O4-B4-801 | 2579 | 1008 | 410 | 405 | 168 | 620 | 365 | Ø910 | Ø180x220 | 190.4 | 45 | F40 | 1-1/2"NPT |
| GPY-SRC5/O5-B4-801 | 2863 | 1008 | 410 | 405 | 168 | 620 | 365 | Ø910 | Ø180x220 | 190.4 | 45 | F40 | 1-1/2"NPT |
| GPY-SRC6/O6-B4-801 | 2958 | 1008 | 410 | 405 | 168 | 620 | 365 | Ø910 | Ø180x220 | 190.1 | 45 | F40 | 1-1/2"NPT |
| GPY-SRC4/O4-B5-801 | 3158 | 1165 | 488 | 500 | 195 | 730 | 420 | Ø910 | Ø220x250 | 231.4 | 50 | F48/F40 | 1-1/2"NPT |
| GPY-SRC5/O5-B5-801 | 3353 | 1165 | 488 | 500 | 195 | 730 | 420 | Ø910 | Ø220x250 | 231.4 | 50 | F48/F40 | 1-1/2"NPT |
| GPY-SRC6/O6-B5-801 | 3423 | 1165 | 488 | 500 | 195 | 730 | 420 | Ø910 | Ø220x250 | 231.4 | 50 | F48/F40 | 1-1/2"NPT |
| GPY-SRC4/O4-B5-901 | 3353 | 1165 | 488 | 500 | 195 | 730 | 420 | Ø1010 | Ø220x250 | 231.4 | 50 | F48/F40 | 2"NPT |
| GPY-SRC5/O5-B5-901 | 3423 | 1165 | 488 | 500 | 195 | 730 | 420 | Ø1010 | Ø220x250 | 231.4 | 50 | F48/F40 | 2"NPT |
| GPY-SRC6/O6-B5-901 | 3513 | 1165 | 488 | 500 | 195 | 730 | 420 | Ø1010 | Ø220x250 | 231.4 | 50 | F48/F40 | 2"NPT |
| GPY-SRC4/O4-B6-801 | 4033 | 1488 | 623 | 653 | 225 | 980 | 500 | Ø910 | Ø280x315 | 292.4 | 63 | F60/F48 | 1-1/2"NPT |
| GPY-SRC5/O5-B6-801 | 4193 | 1488 | 623 | 653 | 225 | 980 | 500 | Ø910 | Ø280x315 | 292.4 | 63 | F60/F48 | 1-1/2"NPT |
| GPY-SRC6/O6-B6-801 | 4273 | 1488 | 623 | 653 | 225 | 980 | 500 | Ø910 | Ø280x315 | 292.4 | 63 | F60/F48 | 1-1/2"NPT |
| GPY-SRC4/O4-B6-901 | 4193 | 1488 | 623 | 653 | 225 | 980 | 500 | Ø1010 | Ø280x315 | 292.4 | 63 | F60/F48 | 2"NPT |
| GPY-SRC5/O5-B6-901 | 4273 | 1488 | 623 | 653 | 225 | 980 | 500 | Ø1010 | Ø280x315 | 292.4 | 63 | F60/F48 | 2"NPT |
| GPY-SRC6/O6-B6-901 | 4803 | 1488 | 623 | 653 | 225 | 980 | 500 | Ø1010 | Ø280x315 | 292.4 | 63 | F60/F48 | 2"NPT |
| GPY-SRC4/O4-B6-1001 | 4273 | 1488 | 623 | 653 | 225 | 980 | 500 | Ø1115 | Ø280x315 | 292.4 | 63 | F60/F48 | 2"NPT |
| GPY-SRC5/O5-B6-1001 | 4803 | 1488 | 623 | 653 | 225 | 980 | 500 | Ø1115 | Ø280x315 | 292.4 | 63 | F60/F48 | 2"NPT |
| GPY-SRC6/O6-B6-1001 | 4354 | 1488 | 623 | 653 | 225 | 980 | 500 | Ø1115 | Ø280x315 | 292.4 | 63 | F60/F48 | 2"NPT |

Dimension of GPY-C (FC) Series Spring Return Actuator

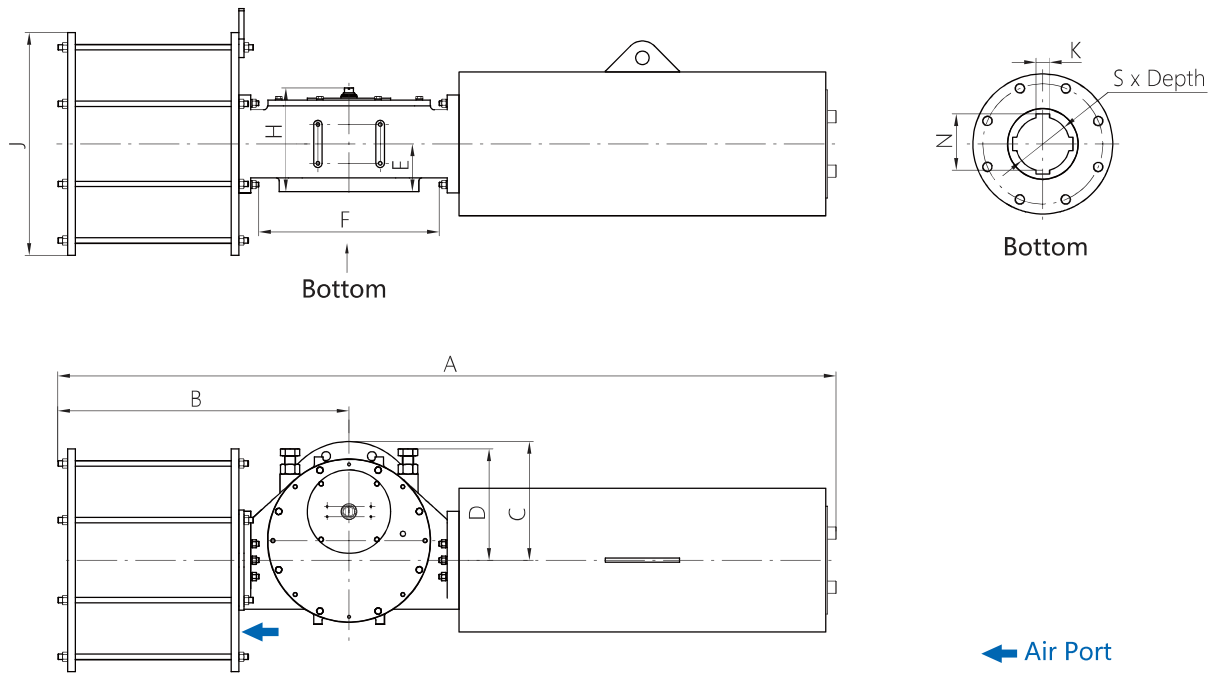


| Model | A | B | C | D | E | F | H | J | S x Depth | N | K | Mounting Flange ISO5211 | Air Port |
|------------------|------|-----|-----|-----|-----|-----|-------|------|-----------|------|----|-------------------------|----------|
| | mm | | | | | | | | | | | | |
| GPY-SRC4-C06-201 | 1146 | 475 | 149 | 175 | 86 | 255 | 214 | □225 | Ø48x65 | 51.8 | 14 | F14 | 3/8"NPT |
| GPY-SRC5-C06-201 | 1176 | 475 | 149 | 175 | 86 | 255 | 214 | □225 | Ø48x65 | 51.8 | 14 | F14 | 3/8"NPT |
| GPY-SRC6-C06-201 | 1176 | 475 | 149 | 175 | 86 | 255 | 214 | □225 | Ø48x65 | 51.8 | 14 | F14 | 3/8"NPT |
| GPY-SRC4-C06-221 | 1189 | 488 | 149 | 175 | 86 | 255 | 214 | □250 | Ø48x65 | 51.8 | 14 | F14 | 1/2"NPT |
| GPY-SRC5-C06-221 | 1189 | 488 | 149 | 175 | 86 | 255 | 214 | □250 | Ø48x65 | 51.8 | 14 | F14 | 1/2"NPT |
| GPY-SRC6-C06-221 | 1189 | 488 | 149 | 175 | 86 | 255 | 214 | □250 | Ø48x65 | 51.8 | 14 | F14 | 1/2"NPT |
| GPY-SRC4-C08-221 | 1418 | 585 | 165 | 200 | 103 | 340 | 238 | □250 | Ø60x100 | 64.4 | 18 | F16 | 1/2"NPT |
| GPY-SRC5-C08-221 | 1418 | 585 | 165 | 200 | 103 | 340 | 238 | □250 | Ø60x100 | 64.4 | 18 | F16 | 1/2"NPT |
| GPY-SRC6-C08-221 | 1460 | 585 | 165 | 200 | 103 | 340 | 238 | □250 | Ø60x100 | 64.4 | 18 | F16 | 1/2"NPT |
| GPY-SRC4-C08-251 | 1418 | 585 | 165 | 200 | 103 | 340 | 238 | □280 | Ø60x100 | 64.4 | 18 | F16 | 1/2"NPT |
| GPY-SRC5-C08-251 | 1460 | 585 | 165 | 200 | 103 | 340 | 238 | □280 | Ø60x100 | 64.4 | 18 | F16 | 1/2"NPT |
| GPY-SRC6-C08-251 | 1480 | 585 | 165 | 200 | 103 | 340 | 238 | □280 | Ø60x100 | 64.4 | 18 | F16 | 1/2"NPT |
| GPY-SRC4-C08-281 | 1460 | 585 | 165 | 200 | 103 | 340 | 238 | □310 | Ø60x100 | 64.4 | 18 | F16 | 1/2"NPT |
| GPY-SRC5-C08-281 | 1480 | 585 | 165 | 200 | 103 | 340 | 238 | □310 | Ø60x100 | 64.4 | 18 | F16 | 1/2"NPT |
| GPY-SRC6-C08-281 | 1530 | 585 | 165 | 200 | 103 | 340 | 238 | □310 | Ø60x100 | 64.4 | 18 | F16 | 1/2"NPT |
| GPY-SRC4-C1-281 | 1606 | 657 | 250 | 225 | 106 | 395 | 246.5 | □310 | Ø72x120 | 76.9 | 20 | F25/F16 | 1/2"NPT |
| GPY-SRC5-C1-281 | 1652 | 657 | 250 | 225 | 106 | 395 | 246.5 | □310 | Ø72x120 | 76.9 | 20 | F25/F16 | 1/2"NPT |
| GPY-SRC6-C1-281 | 1706 | 657 | 250 | 225 | 106 | 395 | 246.5 | □310 | Ø72x120 | 76.9 | 20 | F25/F16 | 1/2"NPT |
| GPY-SRC4-C1-321 | 1652 | 657 | 250 | 225 | 106 | 395 | 246.5 | Ø395 | Ø72x120 | 76.9 | 20 | F25/F16 | 3/4"NPT |
| GPY-SRC5-C1-321 | 1706 | 657 | 250 | 225 | 106 | 395 | 246.5 | Ø395 | Ø72x120 | 76.9 | 20 | F25/F16 | 3/4"NPT |
| GPY-SRC6-C1-321 | 1736 | 657 | 250 | 225 | 106 | 395 | 246.5 | Ø395 | Ø72x120 | 76.9 | 20 | F25/F16 | 3/4"NPT |
| GPY-SRC4-C1-351 | 1706 | 657 | 250 | 225 | 106 | 395 | 246.5 | Ø430 | Ø72x120 | 76.9 | 20 | F25/F16 | 3/4"NPT |
| GPY-SRC5-C1-351 | 1736 | 657 | 250 | 225 | 106 | 395 | 246.5 | Ø430 | Ø72x120 | 76.9 | 20 | F25/F16 | 3/4"NPT |
| GPY-SRC6-C1-351 | 1782 | 657 | 250 | 225 | 106 | 395 | 246.5 | Ø430 | Ø72x120 | 76.9 | 20 | F25/F16 | 3/4"NPT |

Dimension of GPY-C (FC) Series Spring Return Actuator

| Model | A | B | C | D | E | F | H | J | S x Depth | N | K | Mounting Flange ISO5211 | Air Port |
|------------------|------|------|-----|-----|-----|-----|-------|-------|-----------|-------|----|-------------------------|-----------|
| | mm | | | | | | | | | | | | |
| GPY-SRC4-C1-401 | 1718 | 639 | 250 | 225 | 106 | 395 | 246.5 | Ø485 | Ø72x120 | 76.9 | 20 | F25/F16 | 1"NPT |
| GPY-SRC5-C1-401 | 1764 | 639 | 250 | 225 | 106 | 395 | 246.5 | Ø485 | Ø72x120 | 76.9 | 20 | F25/F16 | 1"NPT |
| GPY-SRC6-C1-401 | 1764 | 639 | 250 | 225 | 106 | 395 | 246.5 | Ø485 | Ø72x120 | 76.9 | 20 | F25/F16 | 1"NPT |
| GPY-SRC4-C2-401 | 1921 | 723 | 295 | 275 | 118 | 420 | 269 | Ø485 | Ø98*150 | 104.4 | 28 | F30/F25 | 1"NPT |
| GPY-SRC5-C2-401 | 1967 | 723 | 295 | 275 | 118 | 420 | 269 | Ø485 | Ø98*150 | 104.4 | 28 | F30/F25 | 1"NPT |
| GPY-SRC6-C2-401 | 2021 | 723 | 295 | 275 | 118 | 420 | 269 | Ø485 | Ø98*150 | 104.4 | 28 | F30/F25 | 1"NPT |
| GPY-SRC4-C2-451 | 1984 | 750 | 295 | 275 | 118 | 420 | 269 | Ø550 | Ø98*150 | 104.4 | 28 | F30/F25 | 1"NPT |
| GPY-SRC5-C2-451 | 2038 | 750 | 295 | 275 | 118 | 420 | 269 | Ø550 | Ø98*150 | 104.4 | 28 | F30/F25 | 1"NPT |
| GPY-SRC6-C2-451 | 2038 | 750 | 295 | 275 | 118 | 420 | 269 | Ø550 | Ø98*150 | 104.4 | 28 | F30/F25 | 1"NPT |
| GPY-SRC4-C3-451 | 2278 | 865 | 352 | 330 | 141 | 530 | 315 | Ø550 | Ø160x200 | 169.4 | 40 | F35/F30 | 1"NPT |
| GPY-SRC5-C3-451 | 2218 | 865 | 352 | 330 | 141 | 530 | 315 | Ø550 | Ø160x200 | 169.4 | 40 | F35/F30 | 1"NPT |
| GPY-SRC6-C3-451 | 2278 | 865 | 352 | 330 | 141 | 530 | 315 | Ø550 | Ø160x200 | 169.4 | 40 | F35/F30 | 1"NPT |
| GPY-SRC4-C3-501 | 2218 | 865 | 352 | 330 | 141 | 530 | 315 | Ø600 | Ø160x200 | 169.4 | 40 | F35/F30 | 1-1/4"NPT |
| GPY-SRC5-C3-501 | 2278 | 865 | 352 | 330 | 141 | 530 | 315 | Ø600 | Ø160x200 | 169.4 | 40 | F35/F30 | 1-1/4"NPT |
| GPY-SRC6-C3-501 | 2260 | 865 | 352 | 330 | 141 | 530 | 315 | Ø600 | Ø160x200 | 169.4 | 40 | F35/F30 | 1-1/4"NPT |
| GPY-SRC4-C3-561 | 2278 | 865 | 352 | 330 | 141 | 530 | 315 | Ø660 | Ø160x200 | 169.4 | 40 | F35/F30 | 1-1/4"NPT |
| GPY-SRC5-C3-561 | 2260 | 865 | 352 | 330 | 141 | 530 | 315 | Ø660 | Ø160x200 | 169.4 | 40 | F35/F30 | 1-1/4"NPT |
| GPY-SRC6-C3-561 | 2588 | 865 | 352 | 330 | 141 | 530 | 315 | Ø660 | Ø160x200 | 169.4 | 40 | F35/F30 | 1-1/4"NPT |
| GPY-SRC4-C3-631 | 2265 | 865 | 352 | 330 | 141 | 530 | 315 | Ø735 | Ø160x200 | 169.4 | 40 | F35/F30 | 1-1/2"NPT |
| GPY-SRC5-C3-631 | 2708 | 865 | 352 | 330 | 141 | 530 | 315 | Ø735 | Ø160x200 | 169.4 | 40 | F35/F30 | 1-1/2"NPT |
| GPY-SRC6-C3-631 | 2543 | 865 | 352 | 330 | 141 | 530 | 315 | Ø735 | Ø160x200 | 169.4 | 40 | F35/F30 | 1-1/2"NPT |
| GPY-SRC4-C4-631 | 3015 | 1000 | 410 | 405 | 168 | 620 | 365 | Ø735 | Ø180x220 | 190.4 | 45 | F40 | 1-1/2"NPT |
| GPY-SRC5-C4-631 | 2975 | 1000 | 410 | 405 | 168 | 620 | 365 | Ø735 | Ø180x220 | 190.4 | 45 | F40 | 1-1/2"NPT |
| GPY-SRC6-C4-631 | 2925 | 1000 | 410 | 405 | 168 | 620 | 365 | Ø735 | Ø180x220 | 190.4 | 45 | F40 | 1-1/2"NPT |
| GPY-SRC4-C4-701 | 2983 | 1008 | 410 | 405 | 168 | 620 | 365 | Ø810 | Ø180x220 | 190.4 | 45 | F40 | 1-1/2"NPT |
| GPY-SRC5-C4-701 | 2933 | 1008 | 410 | 405 | 168 | 620 | 365 | Ø810 | Ø180x220 | 190.4 | 45 | F40 | 1-1/2"NPT |
| GPY-SRC6-C4-701 | 3083 | 1008 | 410 | 405 | 168 | 620 | 365 | Ø810 | Ø180x220 | 190.4 | 45 | F40 | 1-1/2"NPT |
| GPY-SRC4-C4-801 | 2933 | 1008 | 410 | 405 | 168 | 620 | 365 | Ø910 | Ø180x220 | 190.4 | 45 | F40 | 1-1/2"NPT |
| GPY-SRC5-C4-801 | 3083 | 1008 | 410 | 405 | 168 | 620 | 365 | Ø910 | Ø180x220 | 190.4 | 45 | F40 | 1-1/2"NPT |
| GPY-SRC6-C4-801 | 3168 | 1008 | 410 | 405 | 168 | 620 | 365 | Ø910 | Ø180x220 | 190.4 | 45 | F40 | 1-1/2"NPT |
| GPY-SRC4-C5-801 | 3553 | 1165 | 488 | 500 | 195 | 730 | 420 | Ø910 | Ø220x250 | 231.4 | 50 | F48/F40 | 1-1/2"NPT |
| GPY-SRC5-C5-801 | 3477 | 1165 | 488 | 500 | 195 | 730 | 420 | Ø910 | Ø220x250 | 231.4 | 50 | F48/F40 | 1-1/2"NPT |
| GPY-SRC6-C5-801 | 3673 | 1165 | 488 | 500 | 195 | 730 | 420 | Ø910 | Ø220x250 | 231.4 | 50 | F48/F40 | 1-1/2"NPT |
| GPY-SRC4-C5-901 | 3477 | 1165 | 488 | 500 | 195 | 730 | 420 | Ø1010 | Ø220x250 | 231.4 | 50 | F48/F40 | 2"NPT |
| GPY-SRC5-C5-901 | 3673 | 1165 | 488 | 500 | 195 | 730 | 420 | Ø1010 | Ø220x250 | 231.4 | 50 | F48/F40 | 2"NPT |
| GPY-SRC6-C5-901 | 3553 | 1165 | 488 | 500 | 195 | 730 | 420 | Ø1010 | Ø220x250 | 231.4 | 50 | F48/F40 | 2"NPT |
| GPY-SRC4-C6-801 | 4087 | 1488 | 623 | 653 | 225 | 980 | 500 | Ø910 | Ø280x315 | 292.4 | 63 | F60/F48 | 1-1/2"NPT |
| GPY-SRC5-C6-801 | 4147 | 1488 | 623 | 653 | 225 | 980 | 500 | Ø910 | Ø280x315 | 292.4 | 63 | F60/F48 | 1-1/2"NPT |
| GPY-SRC6-C6-801 | 4530 | 1488 | 623 | 653 | 225 | 980 | 500 | Ø910 | Ø280x315 | 292.4 | 63 | F60/F48 | 1-1/2"NPT |
| GPY-SRC4-C6-901 | 4147 | 1488 | 623 | 653 | 225 | 980 | 500 | Ø1010 | Ø280x315 | 292.4 | 63 | F60/F48 | 2"NPT |
| GPY-SRC5-C6-901 | 4530 | 1488 | 623 | 653 | 225 | 980 | 500 | Ø1010 | Ø280x315 | 292.4 | 63 | F60/F48 | 2"NPT |
| GPY-SRC6-C6-901 | 4620 | 1488 | 623 | 653 | 225 | 980 | 500 | Ø1010 | Ø280x315 | 292.4 | 63 | F60/F48 | 2"NPT |
| GPY-SRC4-C6-1001 | 4530 | 1488 | 623 | 653 | 225 | 980 | 500 | Ø1115 | Ø280x315 | 292.4 | 63 | F60/F48 | 2"NPT |
| GPY-SRC5-C6-1001 | 4620 | 1488 | 623 | 653 | 225 | 980 | 500 | Ø1115 | Ø280x315 | 292.4 | 63 | F60/F48 | 2"NPT |
| GPY-SRC6-C6-1001 | 4684 | 1488 | 623 | 653 | 225 | 980 | 500 | Ø1115 | Ø280x315 | 292.4 | 63 | F60/F48 | 2"NPT |

Dimension of GPY-C (FO) Series Spring Return Actuator



| Model | A | B | C | D | E | F | H | J | S x Depth | N | K | Mounting Flange ISO5211 | Air Port |
|------------------|------|-----|-----|-----|-----|-----|-------|------|-----------|------|----|-------------------------|----------|
| | mm | | | | | | | | | | | | |
| GPY-C06-201-SRO4 | 1136 | 475 | 149 | 175 | 86 | 255 | 214 | □225 | Ø48x65 | 51.8 | 14 | F14 | 3/8"NPT |
| GPY-C06-201-SRO5 | 1136 | 475 | 149 | 175 | 86 | 255 | 214 | □225 | Ø48x65 | 51.8 | 14 | F14 | 3/8"NPT |
| GPY-C06-201-SRO6 | 1136 | 475 | 149 | 175 | 86 | 255 | 214 | □225 | Ø48x65 | 51.8 | 14 | F14 | 3/8"NPT |
| GPY-C06-221-SRO4 | 1149 | 488 | 149 | 175 | 86 | 255 | 214 | □250 | Ø48x65 | 51.8 | 14 | F14 | 1/2"NPT |
| GPY-C06-221-SRO5 | 1149 | 488 | 149 | 175 | 86 | 255 | 214 | □250 | Ø48x65 | 51.8 | 14 | F14 | 1/2"NPT |
| GPY-C06-221-SRO6 | 1149 | 488 | 149 | 175 | 86 | 255 | 214 | □250 | Ø48x65 | 51.8 | 14 | F14 | 1/2"NPT |
| GPY-C08-221-SRO4 | 1390 | 585 | 165 | 200 | 103 | 340 | 238 | □250 | Ø60x100 | 64.4 | 18 | F16 | 1/2"NPT |
| GPY-C08-221-SRO5 | 1390 | 585 | 165 | 200 | 103 | 340 | 238 | □250 | Ø60x100 | 64.4 | 18 | F16 | 1/2"NPT |
| GPY-C08-221-SRO6 | 1390 | 585 | 165 | 200 | 103 | 340 | 238 | □250 | Ø60x100 | 64.4 | 18 | F16 | 1/2"NPT |
| GPY-C08-251-SRO4 | 1390 | 585 | 165 | 200 | 103 | 340 | 238 | □280 | Ø60x100 | 64.4 | 18 | F16 | 1/2"NPT |
| GPY-C08-251-SRO5 | 1390 | 585 | 165 | 200 | 103 | 340 | 238 | □280 | Ø60x100 | 64.4 | 18 | F16 | 1/2"NPT |
| GPY-C08-251-SRO6 | 1390 | 585 | 165 | 200 | 103 | 340 | 238 | □280 | Ø60x100 | 64.4 | 18 | F16 | 1/2"NPT |
| GPY-C08-281-SRO4 | 1390 | 585 | 165 | 200 | 103 | 340 | 238 | □310 | Ø60x100 | 64.4 | 18 | F16 | 1/2"NPT |
| GPY-C08-281-SRO5 | 1390 | 585 | 165 | 200 | 103 | 340 | 238 | □310 | Ø60x100 | 64.4 | 18 | F16 | 1/2"NPT |
| GPY-C08-281-SRO6 | 1390 | 585 | 165 | 200 | 103 | 340 | 238 | □310 | Ø60x100 | 64.4 | 18 | F16 | 1/2"NPT |
| GPY-C1-281-SRO4 | 1596 | 657 | 250 | 225 | 106 | 395 | 246.5 | □310 | Ø72x120 | 76.9 | 20 | F25/F16 | 1/2"NPT |
| GPY-C1-281-SRO5 | 1596 | 657 | 250 | 225 | 106 | 395 | 246.5 | □310 | Ø72x120 | 76.9 | 20 | F25/F16 | 1/2"NPT |
| GPY-C1-281-SRO6 | 1596 | 657 | 250 | 225 | 106 | 395 | 246.5 | □310 | Ø72x120 | 76.9 | 20 | F25/F16 | 1/2"NPT |
| GPY-C1-321-SRO4 | 1596 | 657 | 250 | 225 | 106 | 395 | 246.5 | Ø395 | Ø72x120 | 76.9 | 20 | F25/F16 | 3/4"NPT |
| GPY-C1-321-SRO5 | 1596 | 657 | 250 | 225 | 106 | 395 | 246.5 | Ø395 | Ø72x120 | 76.9 | 20 | F25/F16 | 3/4"NPT |
| GPY-C1-321-SRO6 | 1612 | 657 | 250 | 225 | 106 | 395 | 246.5 | Ø395 | Ø72x120 | 76.9 | 20 | F25/F16 | 3/4"NPT |
| GPY-C1-351-SRO4 | 1596 | 657 | 250 | 225 | 106 | 395 | 246.5 | Ø430 | Ø72x120 | 76.9 | 20 | F25/F16 | 3/4"NPT |
| GPY-C1-351-SRO5 | 1612 | 657 | 250 | 225 | 106 | 395 | 246.5 | Ø430 | Ø72x120 | 76.9 | 20 | F25/F16 | 3/4"NPT |
| GPY-C1-351-SRO6 | 1612 | 657 | 250 | 225 | 106 | 395 | 246.5 | Ø430 | Ø72x120 | 76.9 | 20 | F25/F16 | 3/4"NPT |

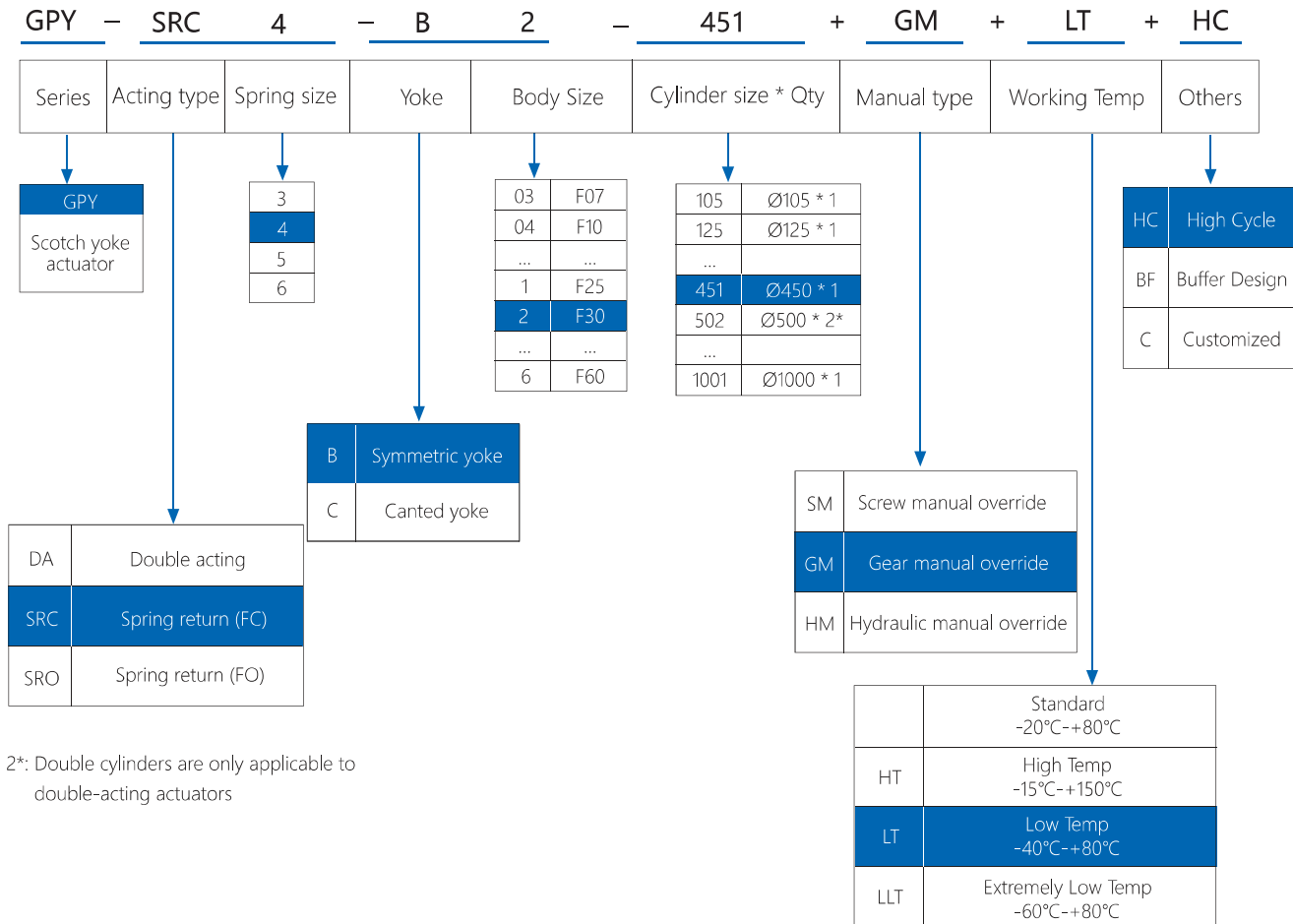


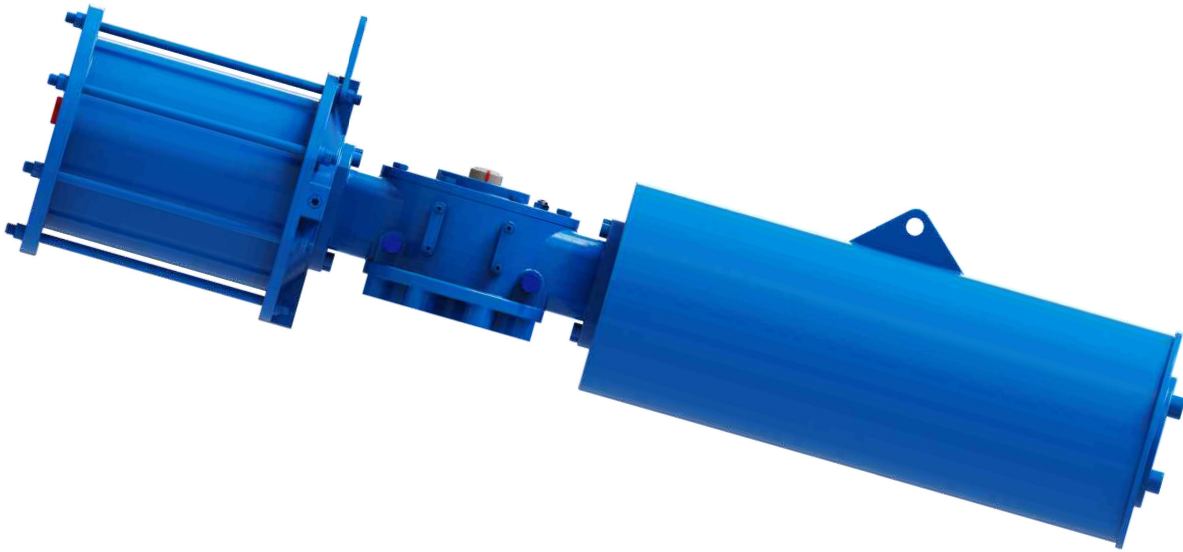
Dimension of GPGPY-C (FO)Series Spring Return Actuator

| Model | A | B | C | D | E | F | H | J | S x Depth | N | K | Mounting Flange ISO5211 | Air Port |
|------------------|------|------|-----|-----|-----|-----|-------|-------|-----------|-------|----|----------------------------|-----------|
| | mm | | | | | | | | | | | | |
| GPY-SRO4-C1-401 | 1594 | 639 | 250 | 225 | 106 | 395 | 246.5 | Ø485 | Ø72x120 | 76.9 | 20 | F25/F16 | 1"NPT |
| GPY-SRO5-C1-401 | 1594 | 639 | 250 | 225 | 106 | 395 | 246.5 | Ø485 | Ø72x120 | 76.9 | 20 | F25/F16 | 1"NPT |
| GPY-SRO6-C1-401 | 1644 | 639 | 250 | 225 | 106 | 395 | 246.5 | Ø485 | Ø72x120 | 76.9 | 20 | F25/F16 | 1"NPT |
| GPY-SRO4-C2-401 | 1792 | 723 | 295 | 275 | 118 | 420 | 269 | Ø485 | Ø98*150 | 104.4 | 28 | F30/F25 | 1"NPT |
| GPY-SRO5-C2-401 | 1812 | 723 | 295 | 275 | 118 | 420 | 269 | Ø485 | Ø98*150 | 104.4 | 28 | F30/F25 | 1"NPT |
| GPY-SRO6-C2-401 | 1864 | 723 | 295 | 275 | 118 | 420 | 269 | Ø485 | Ø98*150 | 104.4 | 28 | F30/F25 | 1"NPT |
| GPY-SRO4-C2-451 | 1829 | 750 | 295 | 275 | 118 | 420 | 269 | Ø550 | Ø98*150 | 104.4 | 28 | F30/F25 | 1"NPT |
| GPY-SRO5-C2-451 | 1881 | 750 | 295 | 275 | 118 | 420 | 269 | Ø550 | Ø98*150 | 104.4 | 28 | F30/F25 | 1"NPT |
| GPY-SRO6-C2-451 | 1879 | 750 | 295 | 275 | 118 | 420 | 269 | Ø550 | Ø98*150 | 104.4 | 28 | F30/F25 | 1"NPT |
| GPY-SRO4-C3-451 | 2118 | 865 | 352 | 330 | 141 | 530 | 315 | Ø550 | Ø160x200 | 169.4 | 40 | F35/F30 | 1"NPT |
| GPY-SRO5-C3-451 | 2198 | 865 | 352 | 330 | 141 | 530 | 315 | Ø550 | Ø160x200 | 169.4 | 40 | F35/F30 | 1"NPT |
| GPY-SRO6-C3-451 | 2198 | 865 | 352 | 330 | 141 | 530 | 315 | Ø550 | Ø160x200 | 169.4 | 40 | F35/F30 | 1"NPT |
| GPY-SRO4-C3-501 | 2198 | 865 | 352 | 330 | 141 | 530 | 315 | Ø600 | Ø160x200 | 169.4 | 40 | F35/F30 | 1-1/4"NPT |
| GPY-SRO5-C3-501 | 2198 | 865 | 352 | 330 | 141 | 530 | 315 | Ø600 | Ø160x200 | 169.4 | 40 | F35/F30 | 1-1/4"NPT |
| GPY-SRO6-C3-501 | 2218 | 865 | 352 | 330 | 141 | 530 | 315 | Ø600 | Ø160x200 | 169.4 | 40 | F35/F30 | 1-1/4"NPT |
| GPY-SRO4-C3-561 | 2198 | 865 | 352 | 330 | 141 | 530 | 315 | Ø660 | Ø160x200 | 169.4 | 40 | F35/F30 | 1-1/4"NPT |
| GPY-SRO5-C3-561 | 2218 | 865 | 352 | 330 | 141 | 530 | 315 | Ø660 | Ø160x200 | 169.4 | 40 | F35/F30 | 1-1/4"NPT |
| GPY-SRO6-C3-561 | 2228 | 865 | 352 | 330 | 141 | 530 | 315 | Ø660 | Ø160x200 | 169.4 | 40 | F35/F30 | 1-1/4"NPT |
| GPY-SRO4-C3-631 | 2233 | 865 | 352 | 330 | 141 | 530 | 315 | Ø735 | Ø160x200 | 169.4 | 40 | F35/F30 | 1-1/2"NPT |
| GP-SRO5Y-C3-631 | 2253 | 865 | 352 | 330 | 141 | 530 | 315 | Ø735 | Ø160x200 | 169.4 | 40 | F35/F30 | 1-1/2"NPT |
| GPY-SRO6-C3-631 | 2318 | 865 | 352 | 330 | 141 | 530 | 315 | Ø735 | Ø160x200 | 169.4 | 40 | F35/F30 | 1-1/2"NPT |
| GPY-SRO4-C4-631 | 2571 | 1000 | 410 | 405 | 168 | 620 | 365 | Ø735 | Ø180x220 | 190.4 | 45 | F40 | 1-1/2"NPT |
| GPY-SRO5-C4-631 | 2612 | 1000 | 410 | 405 | 168 | 620 | 365 | Ø735 | Ø180x220 | 190.4 | 45 | F40 | 1-1/2"NPT |
| GPY-SRO6-C4-631 | 2571 | 1000 | 410 | 405 | 168 | 620 | 365 | Ø735 | Ø180x220 | 190.4 | 45 | F40 | 1-1/2"NPT |
| GPY-SRO4-C4-701 | 2620 | 1008 | 410 | 405 | 168 | 620 | 365 | Ø810 | Ø180x220 | 190.4 | 45 | F40 | 1-1/2"NPT |
| GPY-SRO5-C4-701 | 2579 | 1008 | 410 | 405 | 168 | 620 | 365 | Ø810 | Ø180x220 | 190.4 | 45 | F40 | 1-1/2"NPT |
| GPY-SRO6-C4-701 | 2540 | 1008 | 410 | 405 | 168 | 620 | 365 | Ø810 | Ø180x220 | 190.4 | 45 | F40 | 1-1/2"NPT |
| GPY-SRO4-C4-801 | 2579 | 1008 | 410 | 405 | 168 | 620 | 365 | Ø910 | Ø180x220 | 190.4 | 45 | F40 | 1-1/2"NPT |
| GPY-SRO5-C4-801 | 2540 | 1008 | 410 | 405 | 168 | 620 | 365 | Ø910 | Ø180x220 | 190.4 | 45 | F40 | 1-1/2"NPT |
| GPY-SRO6-C4-801 | 2560 | 1008 | 410 | 405 | 168 | 620 | 365 | Ø910 | Ø180x220 | 190.4 | 45 | F40 | 1-1/2"NPT |
| GPY-SRO4-C5-801 | 2888 | 1165 | 488 | 500 | 195 | 730 | 420 | Ø910 | Ø220x250 | 231.4 | 50 | F48/F40 | 1-1/2"NPT |
| GPY-SRO5-C5-801 | 2888 | 1165 | 488 | 500 | 195 | 730 | 420 | Ø910 | Ø220x250 | 231.4 | 50 | F48/F40 | 1-1/2"NPT |
| GPY-SRO6-C5-801 | 2840 | 1165 | 488 | 500 | 195 | 730 | 420 | Ø910 | Ø220x250 | 231.4 | 50 | F48/F40 | 1-1/2"NPT |
| GPY-SRO4-C5-901 | 2888 | 1165 | 488 | 500 | 195 | 730 | 420 | Ø1010 | Ø220x250 | 231.4 | 50 | F48/F40 | 2"NPT |
| GPY-SRO5-C5-901 | 2840 | 1165 | 488 | 500 | 195 | 730 | 420 | Ø1010 | Ø220x250 | 231.4 | 50 | F48/F40 | 2"NPT |
| GPY-SRO6-C5-901 | 3303 | 1165 | 488 | 500 | 195 | 730 | 420 | Ø1010 | Ø220x250 | 231.4 | 50 | F48/F40 | 2"NPT |
| GPY-SRO4-C6-801 | 3933 | 1488 | 623 | 653 | 225 | 980 | 500 | Ø910 | Ø280x315 | 292.4 | 63 | F60/F48 | 1-1/2"NPT |
| GPY-SRO5-C6-801 | 3973 | 1488 | 623 | 653 | 225 | 980 | 500 | Ø910 | Ø280x315 | 292.4 | 63 | F60/F48 | 1-1/2"NPT |
| GPY-SRO6-C6-801 | 4073 | 1488 | 623 | 653 | 225 | 980 | 500 | Ø910 | Ø280x315 | 292.4 | 63 | F60/F48 | 1-1/2"NPT |
| GPY-SRO4-C6-901 | 3973 | 1488 | 623 | 653 | 225 | 980 | 500 | Ø1010 | Ø280x315 | 292.4 | 63 | F60/F48 | 2"NPT |
| GPY-SRO5-C6-901 | 4073 | 1488 | 623 | 653 | 225 | 980 | 500 | Ø1010 | Ø280x315 | 292.4 | 63 | F60/F48 | 2"NPT |
| GPY-SRO6-C6-901 | 4273 | 1488 | 623 | 653 | 225 | 980 | 500 | Ø1010 | Ø280x315 | 292.4 | 63 | F60/F48 | 2"NPT |
| GPY-SRO4-C6-1001 | 4073 | 1488 | 623 | 653 | 225 | 980 | 500 | Ø1115 | Ø280x315 | 292.4 | 63 | F60/F48 | 2"NPT |
| GPY-SRO5-C6-1001 | 4273 | 1488 | 623 | 653 | 225 | 980 | 500 | Ø1115 | Ø280x315 | 292.4 | 63 | F60/F48 | 2"NPT |
| GPY-SRO6-C6-1001 | 4353 | 1488 | 623 | 653 | 225 | 980 | 500 | Ø1115 | Ø280x315 | 292.4 | 63 | F60/F48 | 2"NPT |

How To Order

Example: GPY-SRC4-B2-451+GM+LT+HC





GM APE Automation (India) Pvt. Ltd.

Plot No. 2835, Near GM Flowlines,
Opp. Jyoti CNC, GIDC: Lodhika,
Village: Metoda - 360 021, Dist. Rajkot, INDIA.

☎ +91 90990 85060, +91 75739 85025

🌐 www.gmautomation.in

✉ sales@gmautomation.in



*In the process of continuous R&D of the product, the information given is subject to change.

© GM APE Automation (India) PVT. LTD., All Rights Reserved. Reproduction in whole or in part without permission is prohibited.

