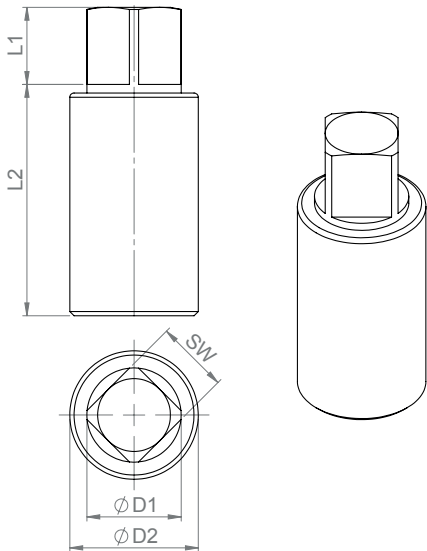




Description

Stainless steel coupling, square finished towards the actuators side, unfinished towards the valve side, suitable for the assembly of pneumatic and electrical actuators upon valves. Square according to ISO 5211 - DIN 3337 - NAMUR. Customized finishing towards the valve side on demand. Material: Stainless steel 1.4305

Drawing



Dimensions

Order text	SW	L1	L2	ØD1	ØD2
GM-V09-L59mm-D20mm	10	10	59	Ø12	Ø20
GM-V11-L59mm-D20mm	12	12	59	Ø15	Ø20
GM-V11-L49mm-D25mm	13	12	49	Ø16	Ø25
GM-V14-L59mm-D20mm	14	16	59	Ø18	Ø20
GM-V14-L59mm-D25mm	14	16	59	Ø18	Ø25
GM-V14-L59mm-D30mm	14	16	59	Ø18	Ø30
GM-V14-L59mm-D35mm	14	16	59	Ø18	Ø35
GM-V17-L59mm-D30mm	17	19	59	Ø22	Ø30
GM-V17-L79mm-D30mm	17	19	79	Ø22	Ø30
GM-V17-L59mm-D35mm	17	19	59	Ø22	Ø35
GM-V17-L79mm-D35mm	17	19	79	Ø22	Ø35
GM-V17-L59mm-D45mm	17	19	59	Ø22	Ø45
GM-V17-L79mm-D45mm	17	19	79	Ø22	Ø45
GM-V22-L79mm-D35mm	22	24	79	Ø28	Ø35
GM-V22-L79mm-D45mm	22	24	79	Ø28	Ø45
GM-V22-L79mm-D55mm	22	24	79	Ø28	Ø55
GM-V27-L79mm-D45mm	27	29	79	Ø36	Ø45
GM-V27-L79mm-D55mm	27	29	79	Ø36	Ø55
GM-V36-L79mm-D55mm	36	38	79	Ø48	Ø55
GM-V36-L99mm-D55mm	36	38	99	Ø48	Ø55
GM-V36-L79mm-D70mm	36	38	79	Ø48	Ø70
GM-V36-L99mm-D70mm	36	38	99	Ø48	Ø70
GM-V46-L99mm-D70mm	46	48	99	Ø60	Ø70
GM-V46-L198mm-D70mm	46	48	198	Ø60	Ø70
GM-V46-L99mm-D90mm	46	48	198	Ø60	Ø90
GM-V46-L198mm-D90mm	46	48	198	Ø60	Ø90
GM-V55-L198mm-D90mm	55	57	198	Ø72	Ø90

Other sizes on request