

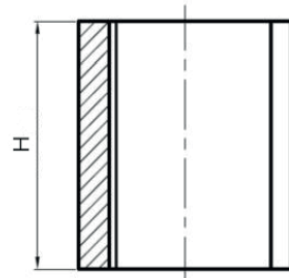
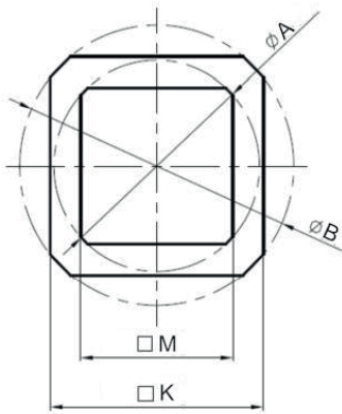


Description

Reducers are used to reduce the inner octagon/ square edge of pneumatic actuators on inner squares. Also for anlarge the Square male from valves. Tetrahedron to EN ISO 5211 - DIN - NAMUR material: sintered metal, corrosion protected.

Dimensions

Drawing



Order code	$\square K-0.1$	$\square M+0.1$	$\Phi B-0.2$	$\Phi A+0.2$	$H\pm 0.1$
GM-RED - V11/ V9	11	9	14.1	12.1	13
GM-RED - V17/ V11	17	11	22.2	14.1	16
GM-RED - V17/ V14	17	14	22.2	18.1	18
GM-RED - V22/ V17	22	17	28.2	22.2	19
GM-RED - V27/ V22	27	22	36.2	22.2	24
GM-RED - V14/ V11	14	11	18.1	14.1	16
GM-RED - V14/ V9	14	9	18.1	12.1	13
GM-RED - V22/ V14	22	14	28.2	18.1	18
GM-RED - V36/ V22	36	22	48	28.2	24
GM-RED - V46/ V36	46	36	59,7	48	40
GM-RED - V46/ V27	46	27	59,7	36,3	48
GM-RED - V55/ V46	55	46	72	59.7	50
GM-RED - V36/ V27	36	27	48	36.3	48
GM-RED - V55/ V36	55	36	59,7	48	40